



Spare Parts Catalogue

G-Drink 9 Design Line

TouchScreen [DT9-HC2]

Revision: 002 Date: 22/11/2023



This pdf Manual has been created on the date indicated.
The latest version (inter-active) is available on web-site www.sandenvendo.com Client Area.
Thank you



English Version

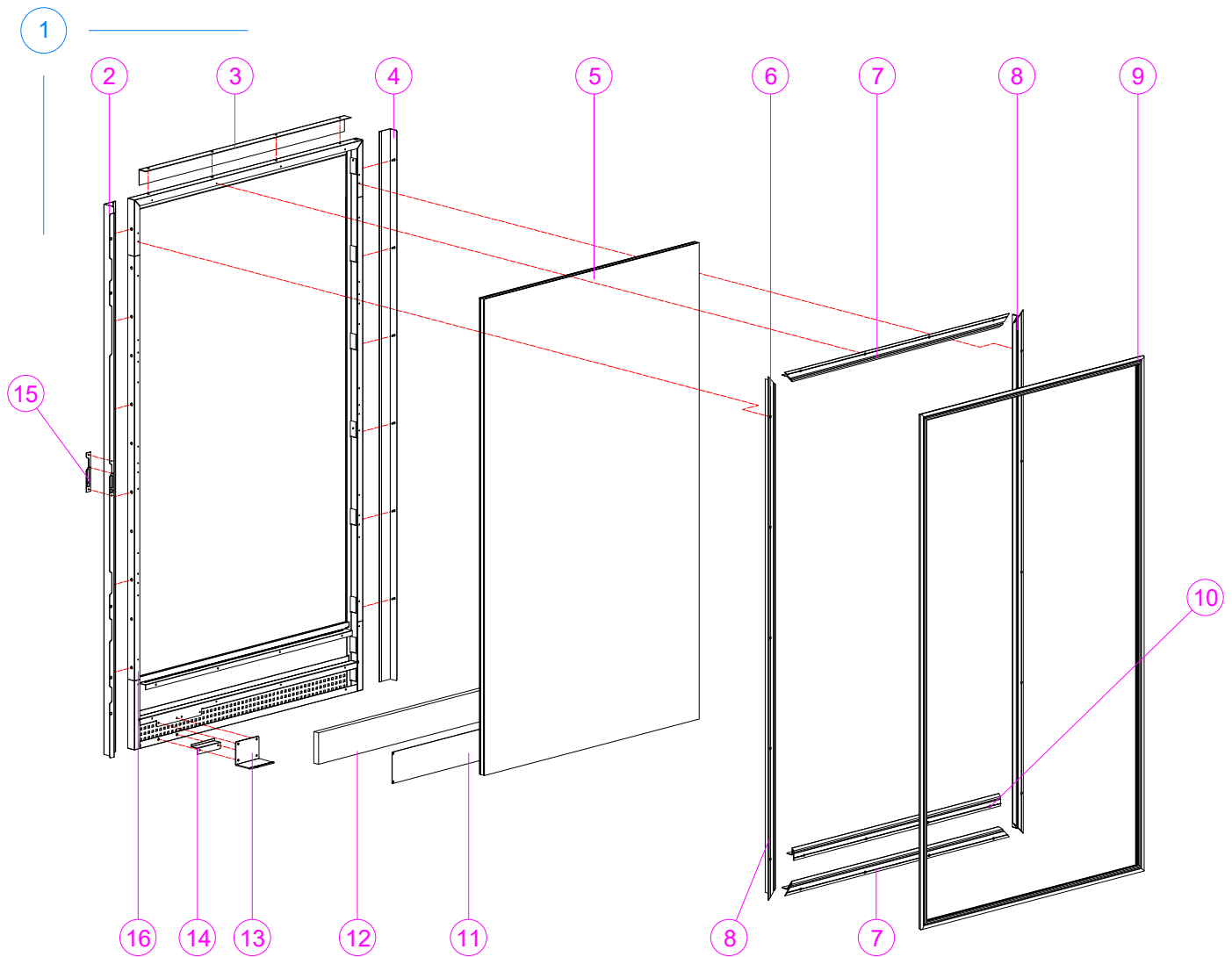
Vendo
SANDEN

SandenVendo Europe S.p.A. - Regione Cavallino,2 - 15030 Coniolo (AL) - Italy

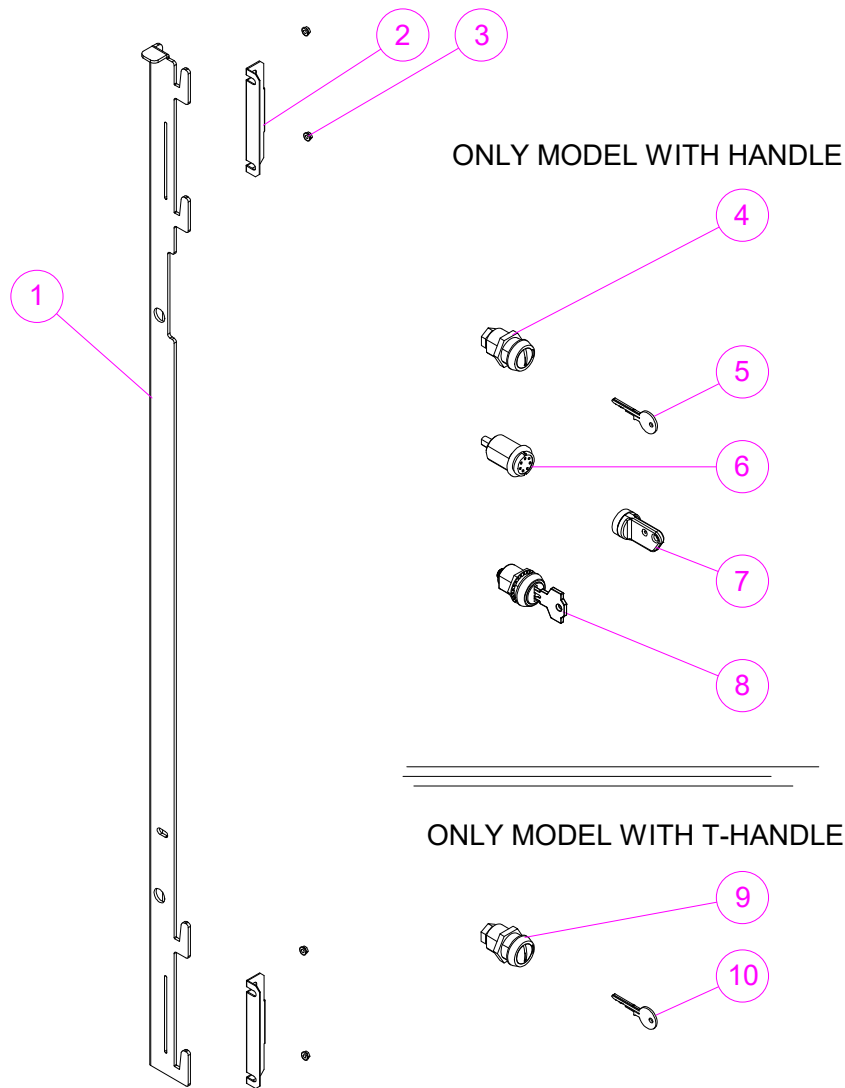
Tel. +39 0142.335119 - Fax +39 0142.562348 - E-mail: marketing@sandenvendo.it - Web: www.sandenvendo.com

Index

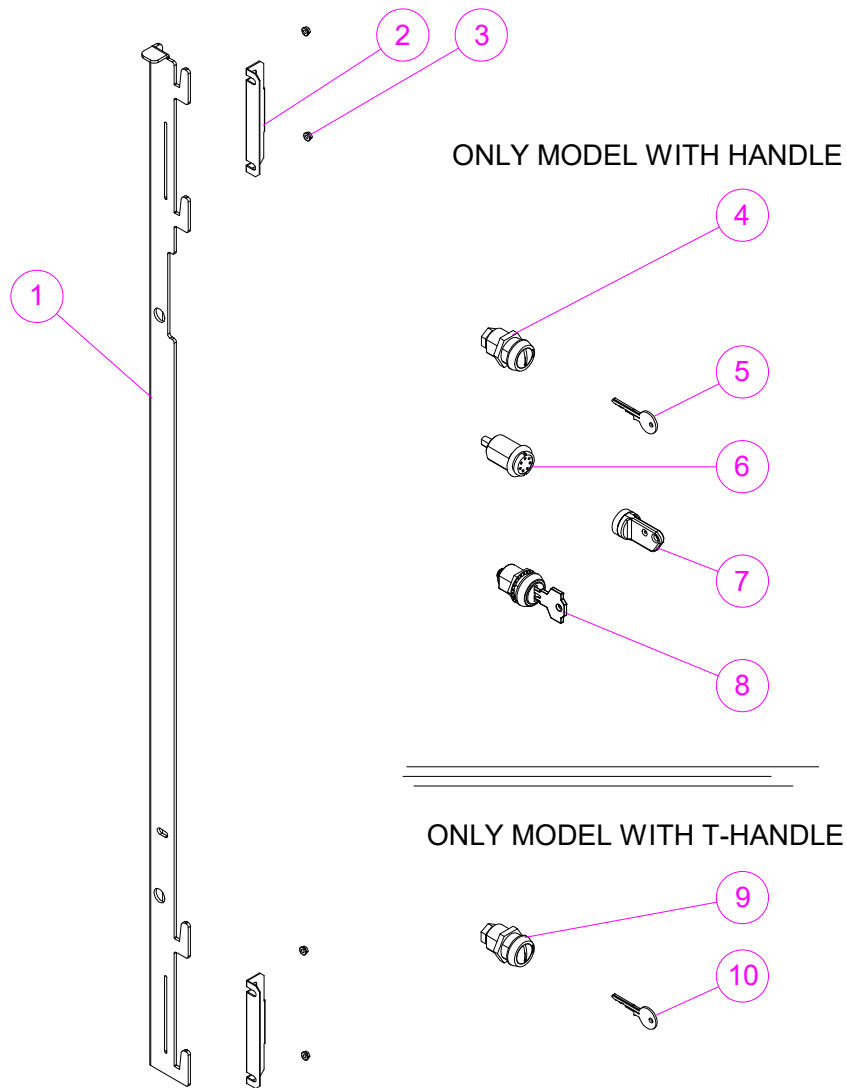
| Contents | Page |
|---|------|
| Door | 2 |
| Lock | 3 |
| Cabinet | 8 |
| Control Panel Box | 11 |
| Display Panel 1 | 12 |
| Display Panel 2 | 13 |
| Display Panel 3 | 14 |
| Display Panel 4 | 15 |
| Panel 1 | 16 |
| Panel 2 | 18 |
| Panel 3 | 19 |
| Panel 4 | 20 |
| Panel 5 | 22 |
| Coin Insert + Display | 23 |
| Drawer Unit | 24 |
| Product Exit - Plastic FLAP | 25 |
| Plastic FLAP - Components | 26 |
| Tray | 27 |
| Spacers | 28 |
| Kit Spacers | 30 |
| G-Drink Mechanism | 32 |
| G-Drink Mechanism Y Unit 1/2 | 34 |
| G-Drink Mechanism Y Unit 2/2 | 36 |
| X-Axis G-Drink Mechanism | 37 |
| Hydrocarbons Box Transformer HC2 | 39 |
| Refrigerant Unit HC2 - GAS PROPANO R290 | 41 |
| Electrical diagram | 43 |
| Coin Box | 45 |
| Various Kit | 47 |
| 3nd Various Kit | 49 |



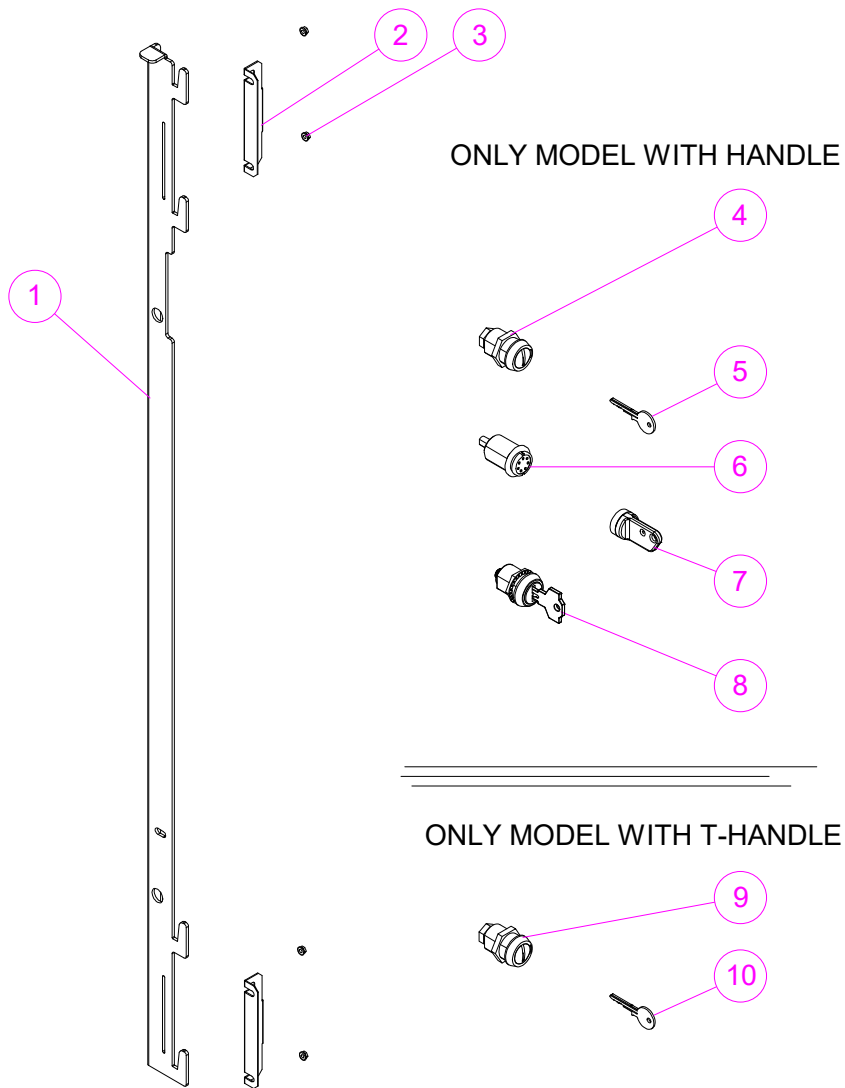
| Pos | Code | Description | Serial Number Nota |
|-----|-----------|----------------------------|--------------------|
| 1 | 143896/2 | DM9 DOOR ASSY | |
| 2 | 144520 | RH DOOR PROFILE WELD ASSY | |
| 3 | 413331 | UPPER - LOWER DOOR PROFILE | 0 - 2917007566 |
| 3 | 415055/2 | UPPER - LOWER DOOR PROFILE | 2919008593 - Z |
| 4 | 144519 | LH DOOR PROFILE WELD ASSY | |
| 5 | 405796/8 | GLASS DL9 1520x935x22 | |
| 6 | 404124/29 | LATERAL GASKET PROFILE | |
| 7 | 404124/23 | TOP-BOTTOM GASKET PROFILE | |
| 8 | 404124/29 | LATERAL GASKET PROFILE | |
| 9 | 413420/3 | DV9 DOOR GASKET | |
| 10 | 404124/30 | GLASS BOTTOM GASKET FRAME | |
| 11 | 412759 | DV9 REAR PANEL | |
| 12 | 412758 | INSULATION PANEL | |
| 13 | 413698 | LIFTING PLATE HOLDER | |
| 14 | 413790 | LOWER DOOR BRACKET | |
| 15 | 414865/1 | DOOR CLOSING THICKNESS | |
| 16 | 145075/2 | DV9 DOOR WELD ASSY | 2919008593 - Z |
| 16 | 143897 | DV9 DOOR WELD ASSY | 0 - 2917007566 |



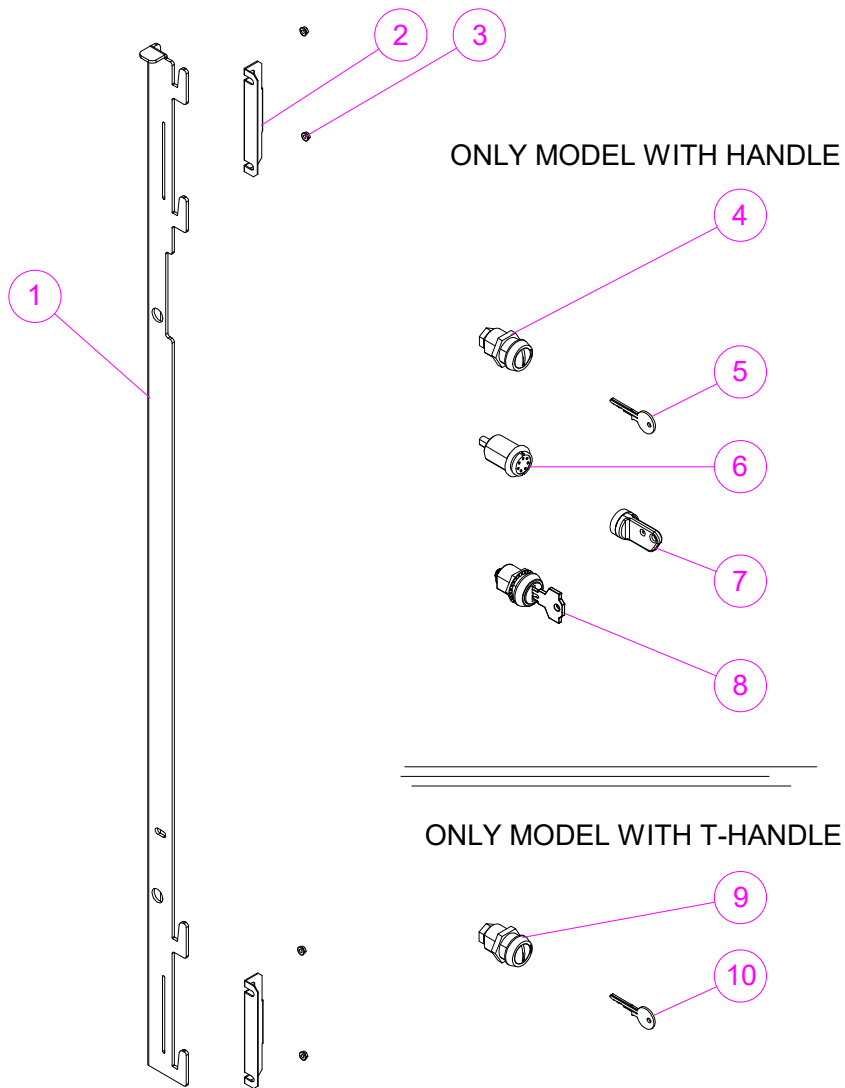
| Pos | Code | Description | Serial Number Nota |
|-----|----------|----------------------------------|----------------------|
| 1 | 412358 | SLIDE ROD | |
| 2 | 412071 | SLIDE ROD RETAINER | |
| 3 | 398224/1 | NUT, FLANGED 4MA MILLED | |
| 4 | 411746 | LOCK RIELDA VENDO MOD.583 | |
| 5 | 408306 | SILVER KEY AJSAND VENDO | Only with p/n 411746 |
| 6 | 412238 | LOCK LC90RM1 | |
| 7 | 412239 | KEY K5KEYM1 | Only with p/n 412238 |
| 8 | 412383 | LOCK G10B4KA1000 NUMBER 2001 | |
| 8 | 412383/1 | LOCK G10B4KD DIFERENT NUMBER | |
| 8 | 412383/2 | LOCK G10B4KA CIF.12027 | |
| 8 | 412383/3 | LOCK G10B4KA CIF.16260 | |
| 8 | 412383/4 | LOCK G10B4KA CIF.22805 | |
| 9 | 141528 | LOCK STS 86220B000313 "K" | |
| 9 | 386940 | LOCK 4255 SINALCO | |
| 9 | 396103 | VAN LOCK 4275 STD COMBINATION | |
| 9 | 396853 | LOCK MOD.4000 CCBI VN010B | |
| 9 | 398314 | LOCK VANAMATIC 4275 PC SWEDEN | |
| 9 | 398675 | LOCK VANAMATIC 4275VST | |
| 9 | 398744 | LOCK GM98 CAMY | |
| 9 | 399355 | LOCK 4275M1 CC SWITZERLAND BLACK | |
| 9 | 399518 | LOCK VANAMATIC PC POLONIA | |



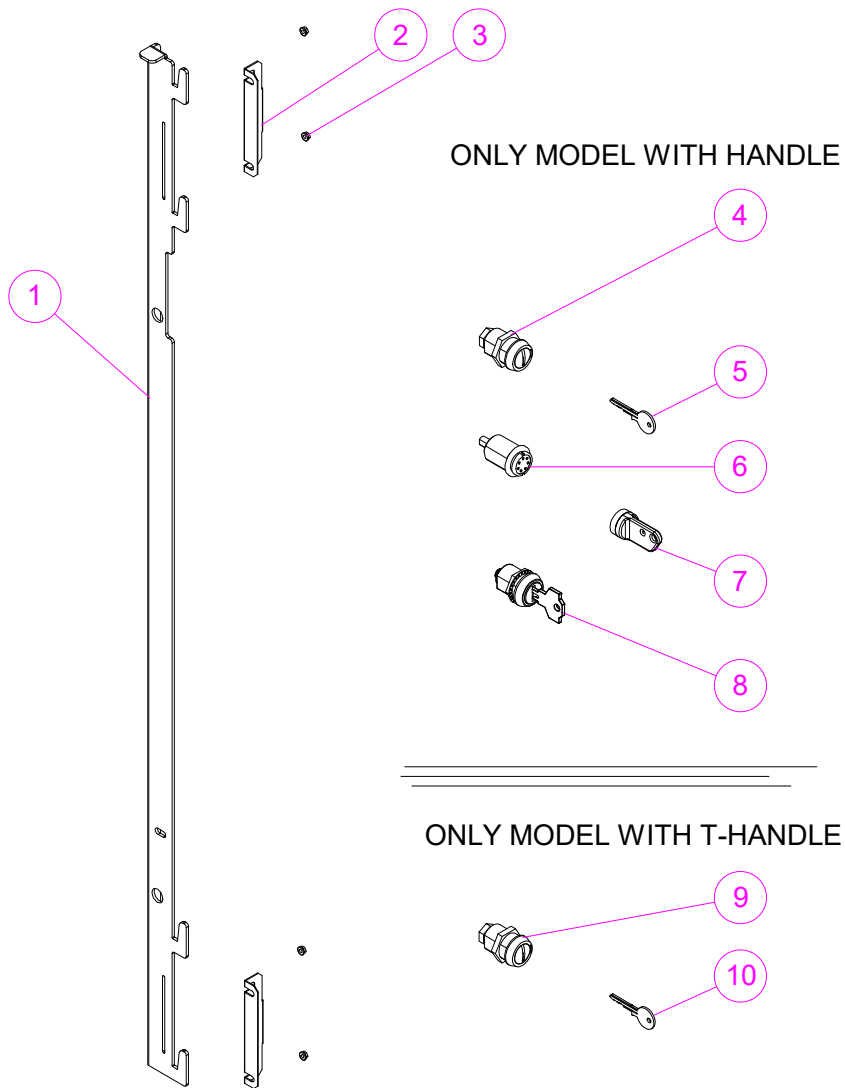
| Pos | Code | Description | Serial Number Nota |
|-----|-----------|----------------------------------|--------------------|
| 9 | 400633 | LOCK 4275 M1 PEPSI KAZAK. | |
| 9 | 405858 | LOCK RIELDA MOD.4000 BIAN | |
| 9 | 406516 | LOCK S-RTA-000 | |
| 9 | 407676 | LOCK KASIAOURIS CIPRO #1 | |
| 9 | 412920 | LOCK RTA-0000 VENDARE | |
| 9 | 123785... | LOCK WITH KEYS | |
| 9 | 368688... | LOCK (SPECIFY CODE) | |
| 9 | 369658... | LOCK (ADD KEY NO. TO BASIC P/N°) | |
| 9 | 141528/1 | LOCK STS 86220BP00313 "P" | |
| 9 | 396103/1 | VAN LOCK 4275 LIGHT BLUE | |
| 9 | 396103/3 | LOCK GATORADE 4255FM1 LUN | |
| 9 | 396103/4 | LOCK VANAMATIC 4255FV LUN | |
| 9 | 396853/1 | LOCK 4000 AUTOBAR | |
| 9 | 398314/10 | LOCK MASTER 4275 PC MAST. RUSS. | |
| 9 | 398314/11 | LOCK 4275 CC SWITZERLAND EAST | |
| 9 | 398314/12 | LOCK 4275 CC SWITZERLAND WEST | |
| 9 | 398314/13 | LOCK 4275 CC SWITZERLAND CENTRer | |
| 9 | 398314/2 | LOCK MASTER 4275 FORMTR.MOSCOW | |
| 9 | 398314/3 | LOCK MASTER 4275 PC MOS.ORANGE | |
| 9 | 398314/4 | LOCK MASTER 4275 PC MOSC.PURPL | |
| 9 | 398314/5 | LOCK MASTER 4275 PC MOSC.BROWN | |



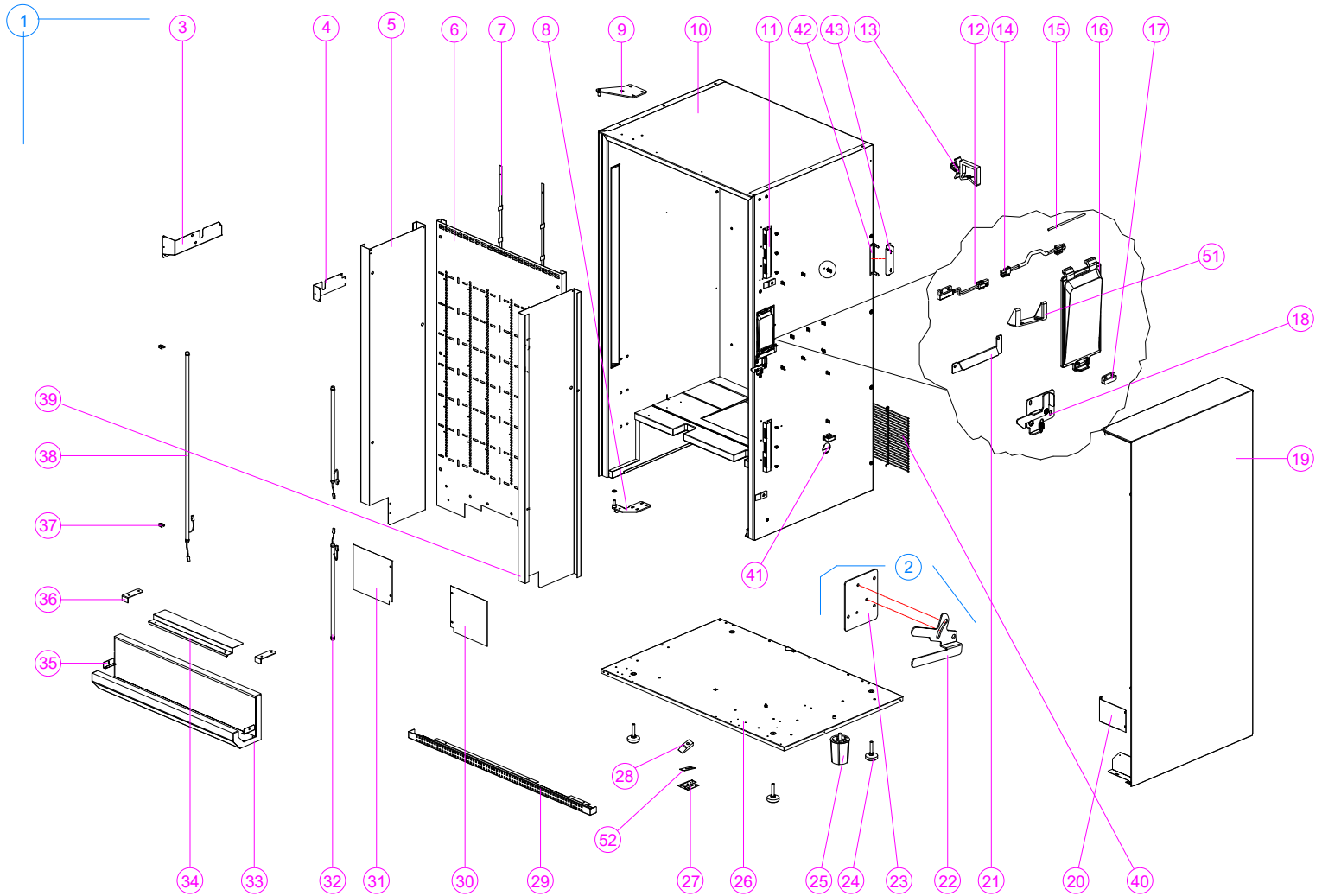
| Pos | Code | Description | Serial Number Nota |
|-----|----------|--------------------------------|--------------------|
| 9 | 398314/7 | LOCK VANAMATIC 4275 CC GREECE | |
| 9 | 398314/8 | LOCK VANAMATIC 4275 NESTLÈ GRE | |
| 9 | 398314/9 | LOCK VANAMATIC 4275 GULFA | |
| 9 | 398675/1 | LOCK VANAM. 4275 PC MASTER | |
| 9 | 398675/2 | LOCK VANAMATIC NOVOSIBORS | |
| 9 | 398675/4 | LOCK VANAMATIC ST.PETERSB | |
| 9 | 398675/5 | LOCK VANAMATIC VLADIVOSTO | |
| 9 | 398675/6 | LOCK VANAMATIC KRASNOYARS | |
| 9 | 398675/7 | LOCK VANAM.4275 CC KENIA | |
| 9 | 398675/8 | LOCK VANAM.4275 CC KAZAN | |
| 9 | 405858/1 | LOCK RIELDA MOD.4000 VEND | |
| 9 | 405858/2 | LOCK CC GMBH 4000 | |
| 9 | 408707/5 | LOCK LC90 REPUBLIC TURCHIA | |
| 10 | 319582 | WHITE KEY K5 VAN LOCK | |
| 10 | 386941 | KEY ORANGE K5 SINALCO | |
| 10 | 394071 | KEY GATORADE K5KEYM1 | |
| 10 | 394823 | KEY VANAMATIC K5KEYV | |
| 10 | 398315 | KEY VANAMATIC PEPSI SWEDEN | |
| 10 | 398743 | KEY GM98 CAMY | |
| 10 | 399356 | KEY MASTER CC SWISS ORANGE | |
| 10 | 399519 | KEY VANAMATIC PC POLONIA | |



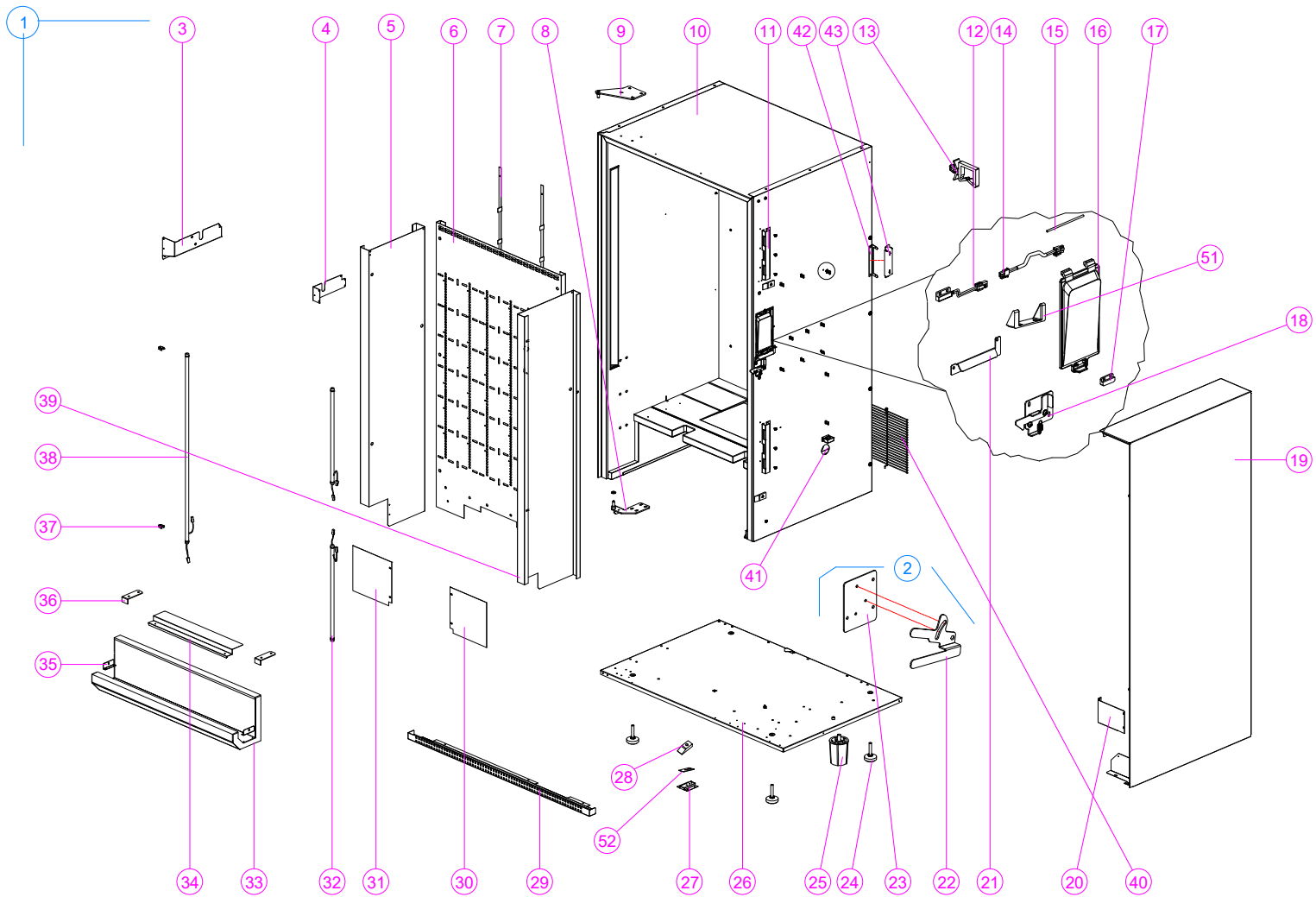
| Pos | Code | Description | Serial Number Nota |
|-----|-----------|-----------------------------|--------------------|
| 10 | 400634 | KEY DARK BLUE PEPSI KAZAK. | |
| 10 | 406518 | KEY S-RK25-000 | |
| 10 | 407677 | KEY # 1 YELLOW | |
| 10 | 408306 | SILVER KEY AJSAND VENDO | |
| 10 | 408307 | GOLD KEY AJSAND VENDO | |
| 10 | 412921 | DOORLOCK VENDARE | |
| 10 | 346118... | KEY (SPECIFY CODE) | |
| 10 | 371126... | KEY (SPECIFY CODE) | |
| 10 | 319582/1 | LIGHT BLUE KEY | |
| 10 | 346118... | KEY (SPECIFY CODE) | |
| 10 | 396854/1 | KEY RIELDA AUTOBAR | |
| 10 | 398315/10 | KEY MASTER PC RUSSIA | |
| 10 | 398315/11 | KEY VANAMATIC CC KENIA | |
| 10 | 398315/12 | KEY VANAMATIC CC KAZAN | |
| 10 | 398315/2 | KEY MASTER FORMTRADE MOSCOW | |
| 10 | 398315/3 | KEY PEPSI MOSCA ORANGE | |
| 10 | 398315/4 | KEY PEPSI MOSCA PURPLE | |
| 10 | 398315/5 | KEY PEPSI MOSCA BROWN | |
| 10 | 398315/7 | KEY VANAM.CC GREECEVL703100 | |
| 10 | 398315/8 | KEY VANAMATIC NESTLÈ GRECIA | |
| 10 | 398315/9 | KEY VANAMATIC GULFA | |



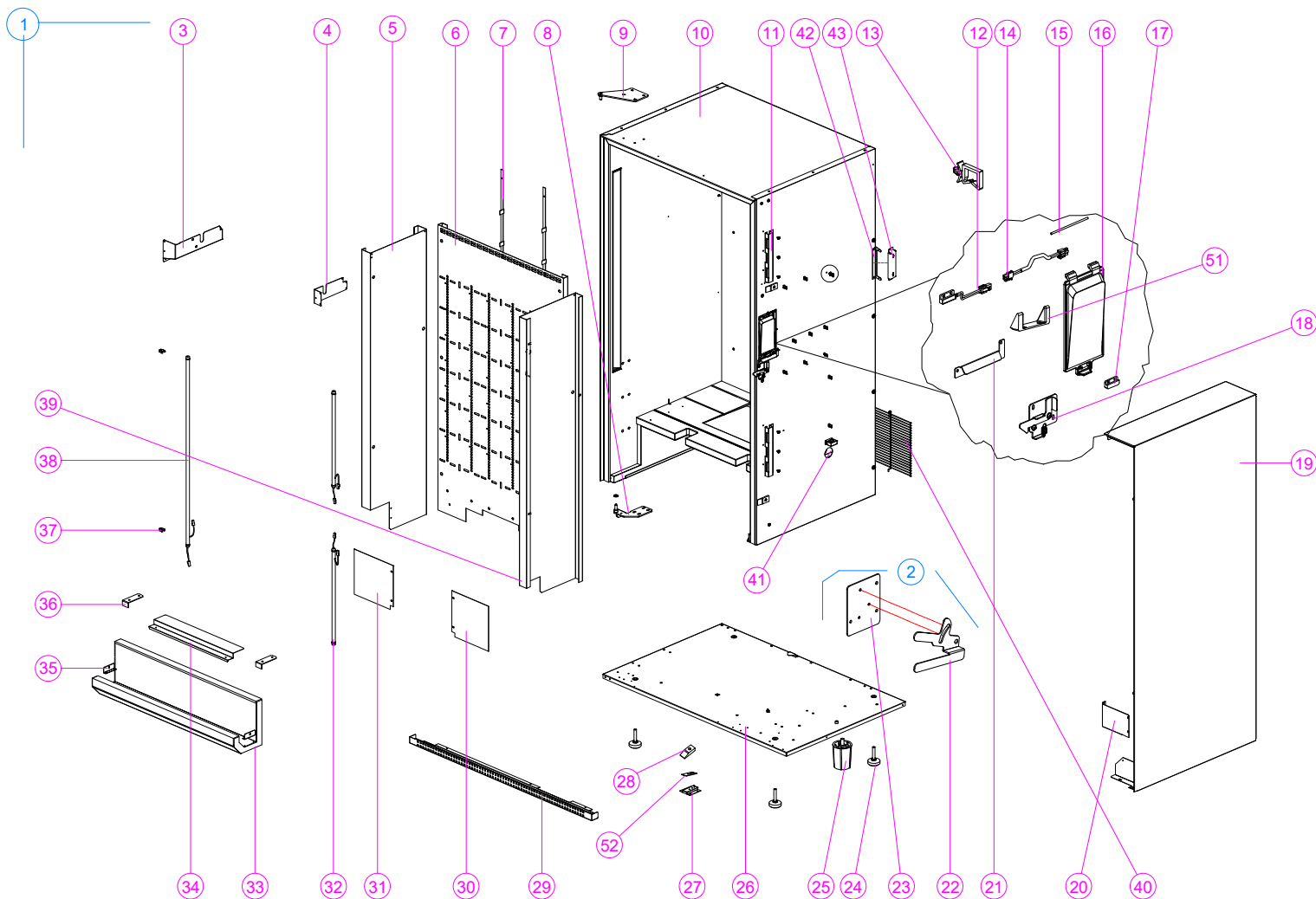
| Pos | Code | Description | Serial Number Nota |
|-----|----------|---------------------------|--------------------|
| 10 | 408306/1 | SILVER KEY AJ905H CC GERM | |
| 10 | 408708/4 | KEY CC SVIZZERA BIANCA E1 | |
| 10 | 408708/5 | KEY CC SVIZZERA ROSSA W1 | |
| 10 | 408708/6 | KEY CC SVIZZERA VERDE C1 | |
| 10 | 408708/7 | KEY K5 REPUBLIC TURCHIA | |



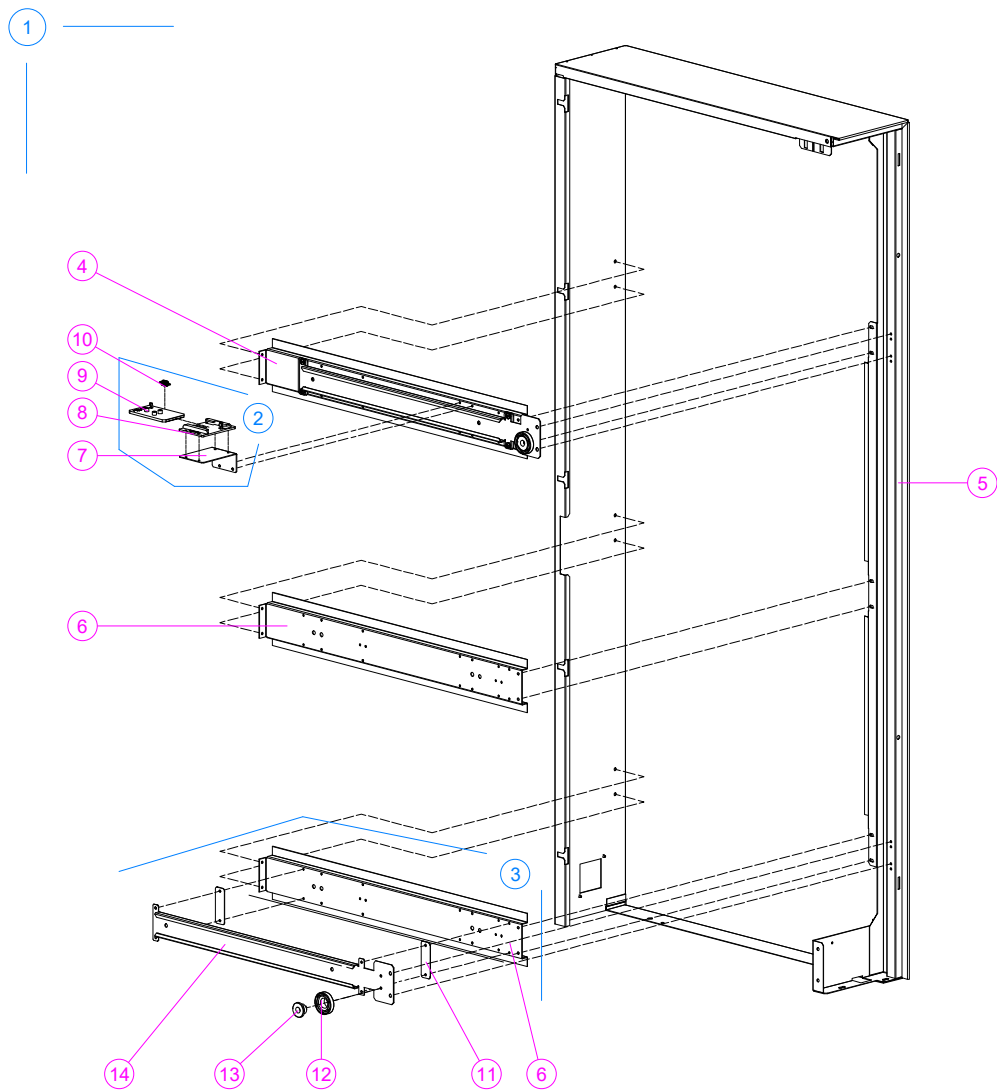
| Pos | Code | Description | Serial Number Nota |
|-----|-----------|--------------------------------|--------------------|
| 1 | 143892/1 | DM9 CABINET ASSY | |
| 1 | 146502/2 | CABINET ASSY DT9-H2 | |
| 2 | 144413 | STOP LEVER DRAWER ASSY | |
| 3 | 413441 | LH COVER Y UNIT | |
| 4 | 413440 | RH COVER Y UNIT | |
| 5 | 408413 | LH SIDE | |
| 6 | 410027 | AIR CHANNEL DR9-DV9 | 2713003258 - z |
| 6 | 408415 | AIR CHANNEL | 0 - 2712002222 |
| 7 | 408103 | SPACER AIR CHANNEL | |
| 8 | 143902 | BOTTOM HINGE WELD ASSY | |
| 9 | 143156 | TOP HINGE WELD ASSY | |
| 10 | 143891 | DV9 FOAMED CABINET | |
| 11 | 411702 | BRACKET CLOSING LOCK | |
| 12 | 138076 | WIRED SENSOR | |
| 13 | 408828 | CABLE FASTNER | |
| 14 | 141077 | FLAP DOOR MICRO-SWITCH HARNESS | |
| 15 | 386662/15 | ROD Ø3 | |
| 16 | 408907 | PRODUCT EYELET DOOR | |
| 17 | 407974 | MAGNET | |
| 18 | 143813 | WINDOW CLOSURE ASSEMBLY | |
| 19 | 143198 | EXTERNAL CABINET ASSEMBLY | |



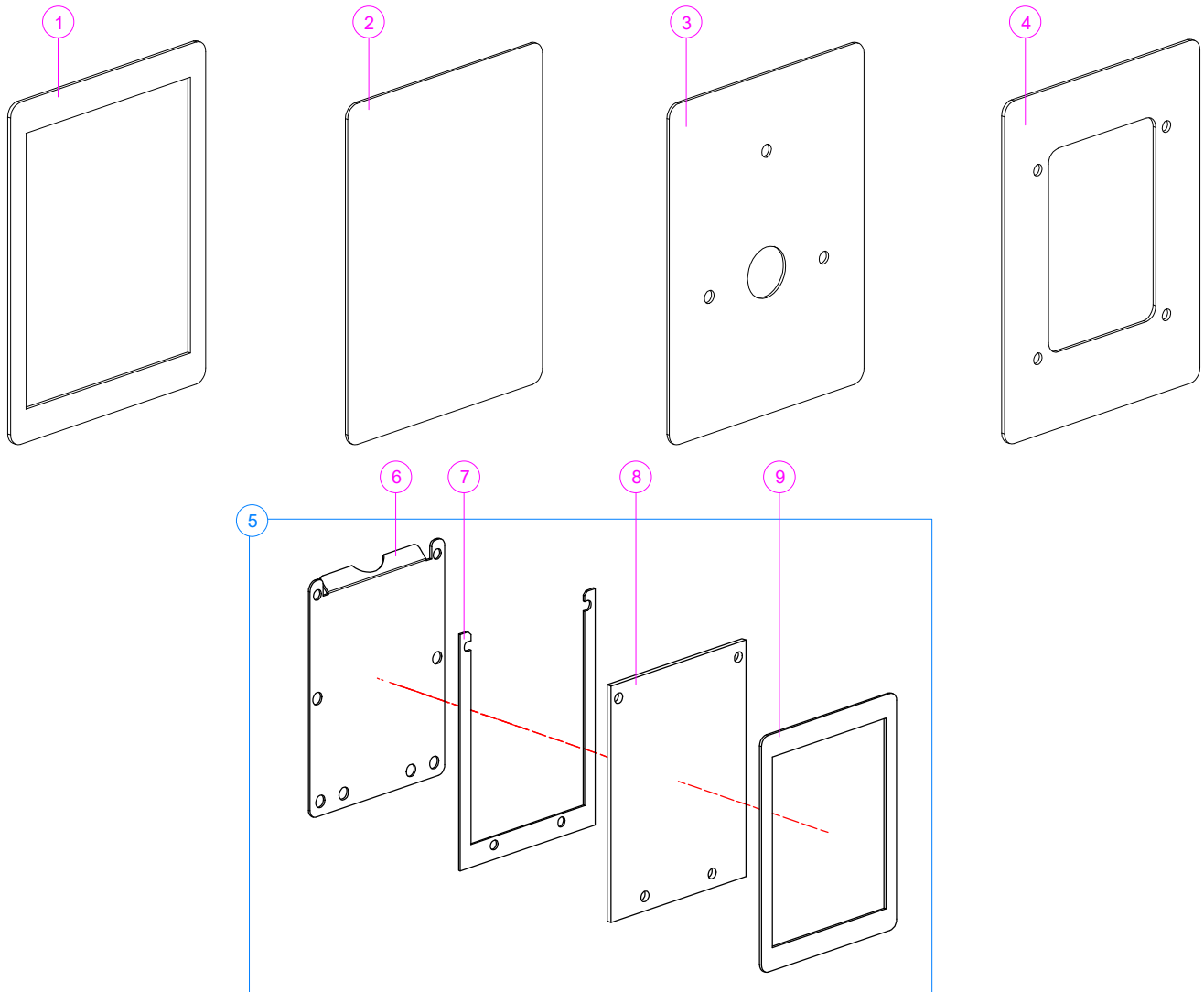
| Pos | Code | Description | Serial Number Nota |
|-----|----------|--|------------------------------|
| 20 | 414099 | HC - R290 / GASKET BRAKET | HC - R290 |
| 21 | 411309 | CHUTE | |
| 22 | 413567 | STOP LEVER DRAWER | |
| 23 | 410129 | PLATE FOR HOOK CLOSURE | |
| 24 | 386804 | LEVELLING SCREW | |
| 25 | 403897 | LEVELLING SCREW M12 (BIG FOOT) | Not included in the assembly |
| 26 | 142692 | HC - R290 / DM9-H CABINET BASE WELD ASSY | HC - R290 |
| 26 | 143894 | DV9 CABINET BASE WELD ASSY | |
| 27 | 412762 | CHUTE LIFT DOOR SUPPORT | |
| 28 | 396124 | PLASTIC CHUTE | |
| 29 | 412761 | LOWER DOOR CARTER | Not included in the assembly |
| 30 | 413806 | RH REFRIGERANT UNIT COVER | |
| 30 | 414607 | HC - R290 / RH REFRIGERANT UNIT COVER | HC - R290 |
| 31 | 413807 | LH REFRIGERANT UNIT COVER | |
| 31 | 414608 | HC - R290 / LH REFRIGERANT UNIT COVER | HC - R290 |
| 32 | 407742/3 | LED TUBE 501mm | |
| 33 | 143756 | BULKHEAD CRADLE FOAMING ASSY | |
| 34 | 407921 | REFRIGERANT UNIT COVER | |
| 35 | 406623/1 | ELEVATOR FASTENER | |
| 36 | 413637 | BULKHEAD FIXING BRACKET | |
| 37 | 402698 | CLIP Ø16 | |



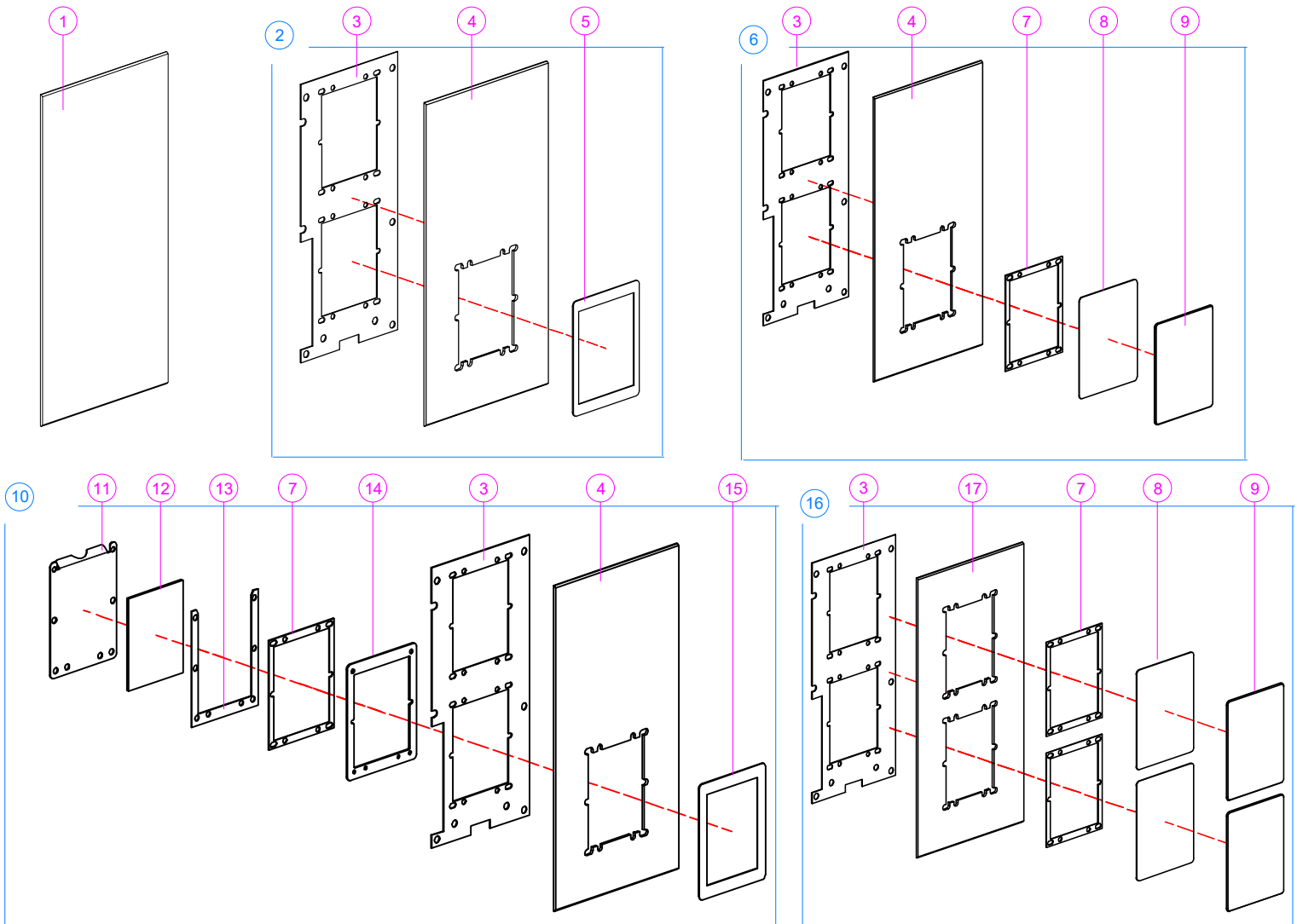
| Pos | Code | Description | Serial Number Nota |
|-----|-----------|----------------------|--------------------|
| 38 | 407742/2 | LED TUBE 986mm | |
| 39 | 408414 | RH SIDE | |
| 40 | 137779/11 | BACK PROTECTION ASSY | |
| 41 | 394529 | CABLE FIX OBO Ø18-30 | |
| 42 | 412600 | CONNECTOR BRACKET | |
| 43 | 412400 | MINIFIT SUPPORT | |
| 52 | 390066 | DOOR THICKNESS | |



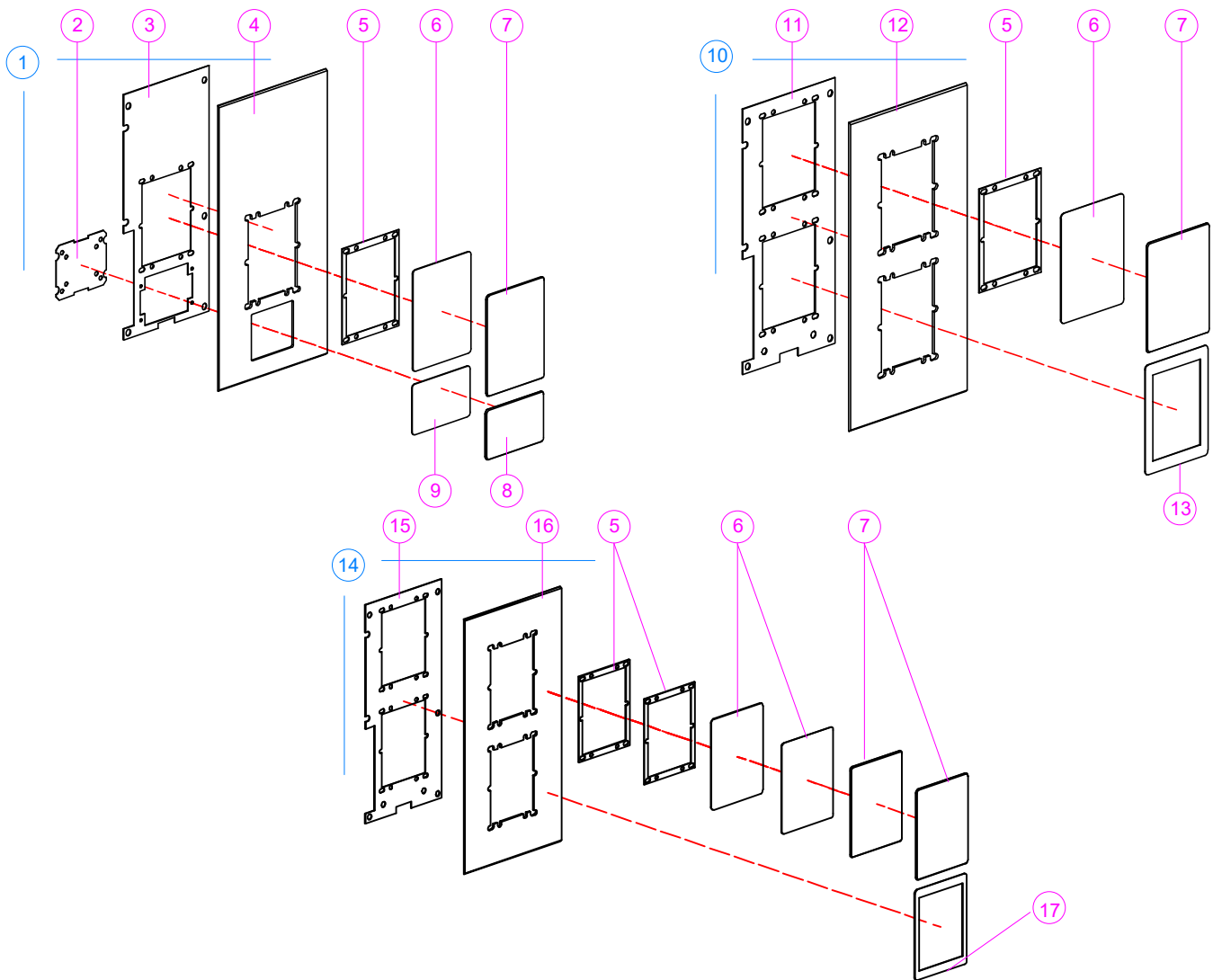
| Pos | Code | Description | Serial Number Nota |
|-----|----------|--------------------------------|--------------------|
| 1 | 143198 | EXTERNAL CABINET ASSEMBLY | |
| 2 | 144921 | SAFETY SWITCH SUPPORT | 2722013276 - Z |
| 2 | 411707/2 | SWITCH ACTUATOR | 0 - 2722013275 |
| 3 | 142760 | SLIDE-WAY DRAWER ASSEMBLY | 2620010421 - Z |
| 4 | 142760 | SLIDE-WAY DRAWER ASSEMBLY | |
| 5 | 143305 | EXTERNAL CABINET WELD ASSEMBLY | |
| 6 | 407981 | HORIZONTAL INNER REINFORCE | |
| 7 | 414498 | SWITCH ACTUATOR SUPPORT | |
| 8 | 414495 | SWITCH ACTUATOR BASE | |
| 9 | 414496 | SWITCH ACTUATOR | |
| 10 | 395450 | SPRING | |
| 11 | 409447 | SLIDING GUIDE PLATE | 2620010421 - Z |
| 12 | 411660 | WHEEL DRAWER SCROLL | |
| 13 | 411207 | SCROLL WHEEL INSERT | |
| 14 | 409446 | SLIDE-WAY DRAWER | 2620010421 - Z |
| 14 | 143438 | SLIDE-WAY DRAWER ASSEMBLY | 0 - 2619009337 |



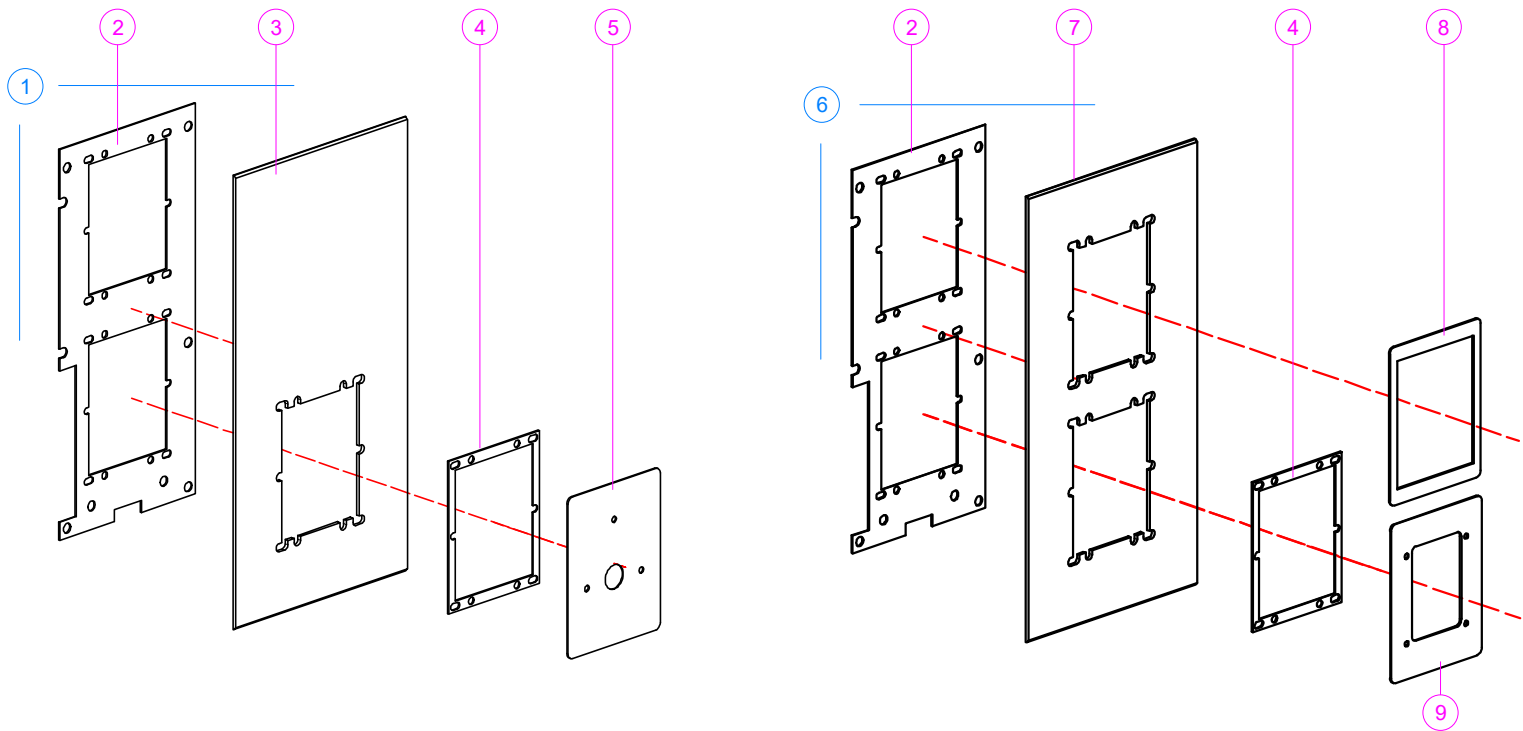
| Pos | Code | Description | Serial Number Nota |
|-----|----------|---------------------------|--------------------|
| 1 | 141997 | MC KIT COLLAR DESIGN LINE | |
| 2 | 141997/1 | MT KIT PLUG DESIGN LINE | |
| 3 | 141997/3 | MO KIT PLUG NAYAX ONIX | |
| 4 | 141997/4 | MS KIT PLUG NAYAX V TOUCH | |
| 5 | 141997/2 | MV KIT WINDOW STANDARD | |
| 6 | 399049 | REAR COVER | |
| 7 | 413611 | GUIDE | |
| 8 | 413609 | WINDOW PANEL | |
| 9 | 403539 | COLLAR CBV | |



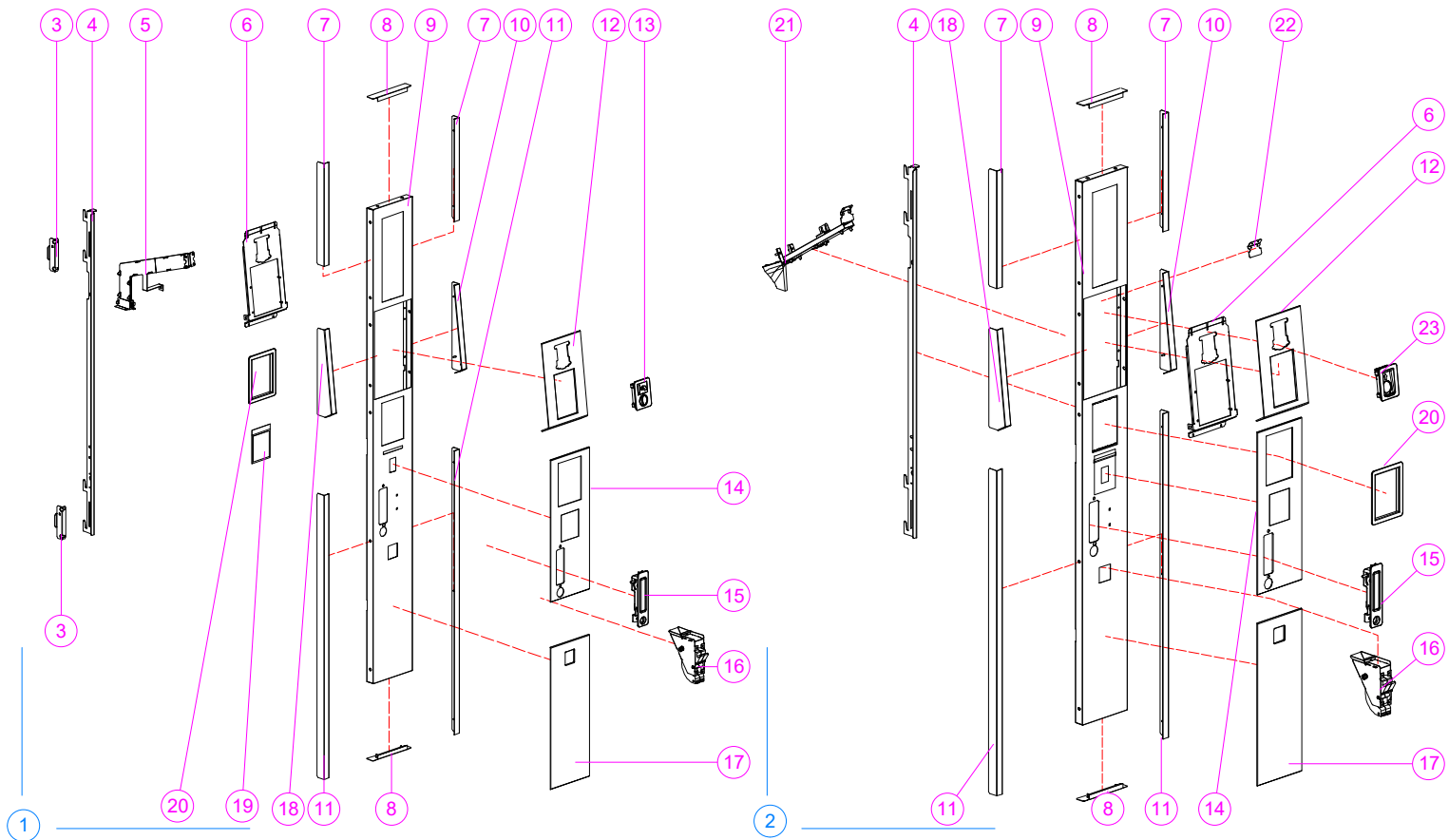
| Pos | Code | Description | Serial Number Nota |
|-----|----------|------------------------------------|--------------------|
| 1 | 145038 | N- NO READER TOP PRINT PANEL | |
| 2 | 145038/1 | C- UPPER PANNEL WITH COLLAR | |
| 3 | 410164 | STANDARD PLATE | |
| 4 | 415298/1 | BLACK SILKSCREEN PANEL WITH HOLE | |
| 5 | 403539 | COLLAR CBV | |
| 6 | 145038/2 | T- UPPER PANNEL WITH COVER | |
| 7 | 413396 | WINDOW FRAME | |
| 8 | 402023 | CBV SLOT COVER | |
| 9 | 412646 | COVER HOLE PANEL | |
| 10 | 145038/3 | V- UPPER PANNEL WITH WINDOW | |
| 11 | 399049 | REAR COVER | |
| 12 | 398015 | WINDOW PANEL | |
| 13 | 397859 | GUIDE | |
| 14 | 398689 | INSULATION | |
| 15 | 402026 | SHOWCASE FRAME | |
| 16 | 145038/4 | W- UPPER PANNEL WITH 2 PLUG | |
| 17 | 415298/2 | BLACK SILKSCREEN PANEL WITH 2 HOLE | |



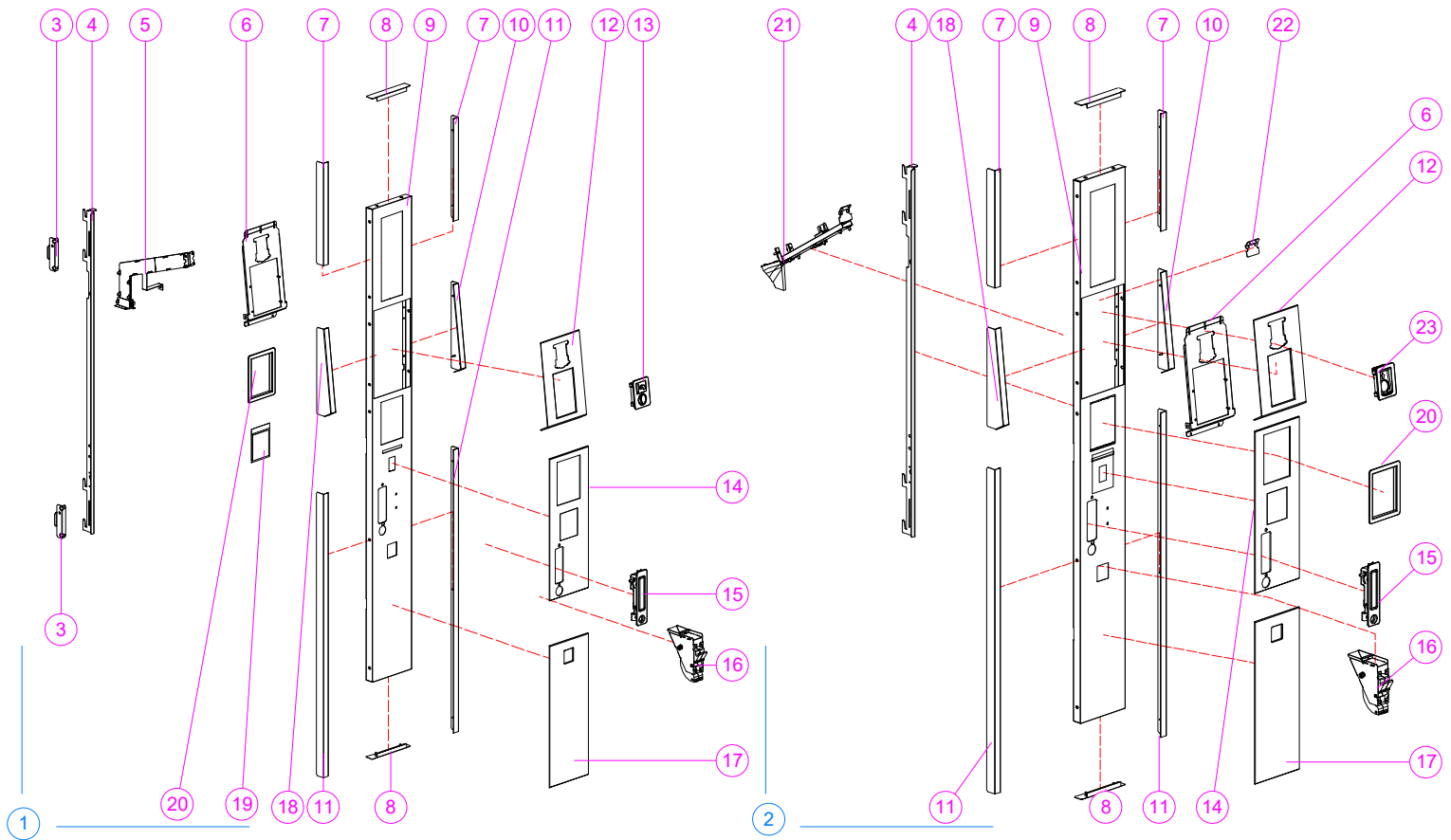
| Pos | Code | Description | Serial Number Nota |
|-----|----------|---|--------------------|
| 1 | 145038/5 | L- UPPER PANNEL WITH AGE READER COVER | |
| 2 | 407997 | REAR COVER HOLE READER | |
| 3 | 410163 | AGE READER PLATE | |
| 4 | 415298/3 | BLACK SILKSCREEN PANEL WITH AGE READER HOLE | |
| 5 | 413396 | WINDOW FRAME | |
| 6 | 402023 | CBV SLOT COVER | |
| 7 | 412646 | COVER HOLE PANEL | |
| 8 | 412646/1 | READER HOLE COVER PANEL | |
| 9 | 410165 | AGE READER SLOT CAP | |
| 10 | 145038/6 | U- UPPER PANNEL WITH COVER AND COLLAR | |
| 11 | 410164 | STANDARD PLATE | |
| 12 | 415298/2 | BLACK SILKSCREEN PANEL WITH 2 HOLE | |
| 13 | 402026 | SHOWCASE FRAME | |
| 14 | 145038/7 | WS UPPER PANNEL WITH 2 COVER AND 1 COLLAR | |
| 15 | 410164 | STANDARD PLATE | |
| 16 | 415298/2 | BLACK SILKSCREEN PANEL WITH 2 HOLE | |
| 17 | 403539 | COLLAR CBV | |



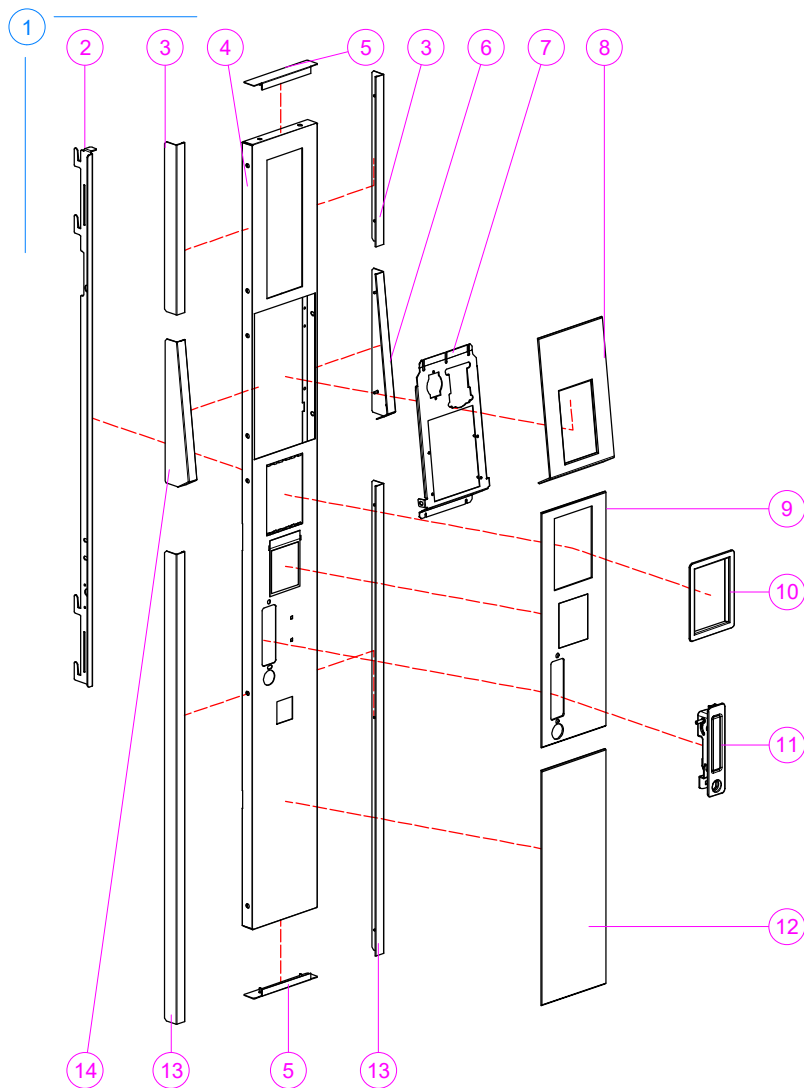
| Pos | Code | Description | Serial Number Nota |
|-----|----------|---|--------------------|
| 1 | 145038/8 | O- UPPER PANNEL WITH NYAX COVER | |
| 2 | 410164 | STANDARD PLATE | |
| 3 | 415298/1 | BLACK SILKSCREEN PANEL WITH HOLE | |
| 4 | 413396 | WINDOW FRAME | |
| 5 | 402023/8 | SLOT COVER NAYAX | |
| 6 | 145038/9 | S- UPPER PANNEL WITH NYAX V TOUCH COVER | |
| 7 | 415298/2 | BLACK SILKSCREEN PANEL WITH 2 HOLE | |
| 8 | 403539 | COLLAR CBV | |
| 9 | 402023/9 | SLOT COVER V TOUCH | |



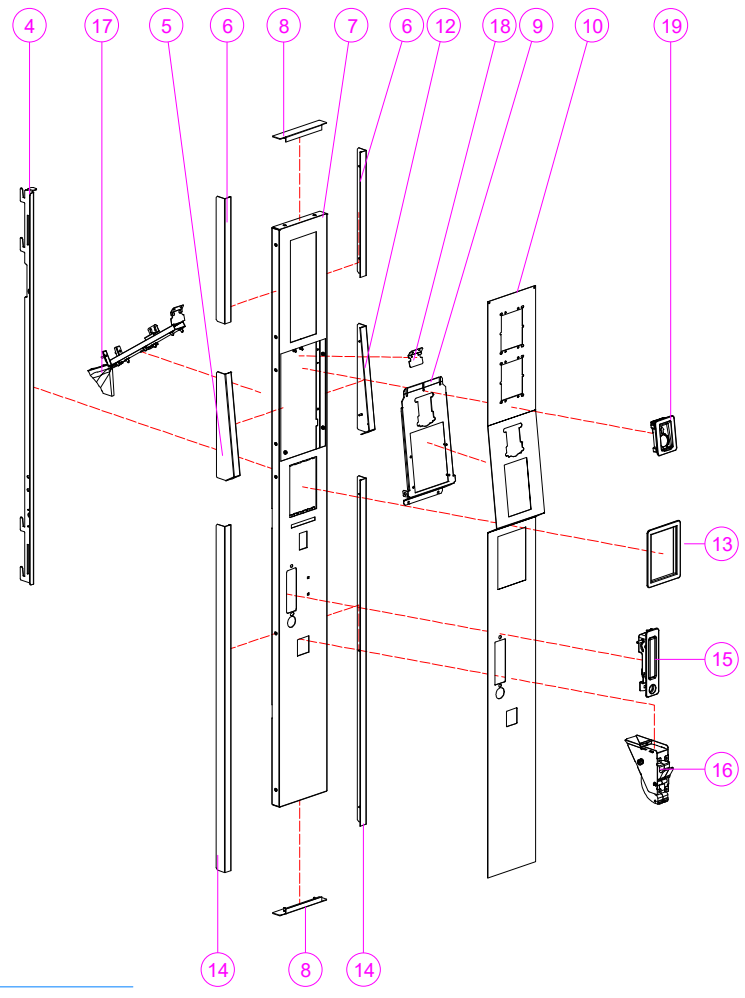
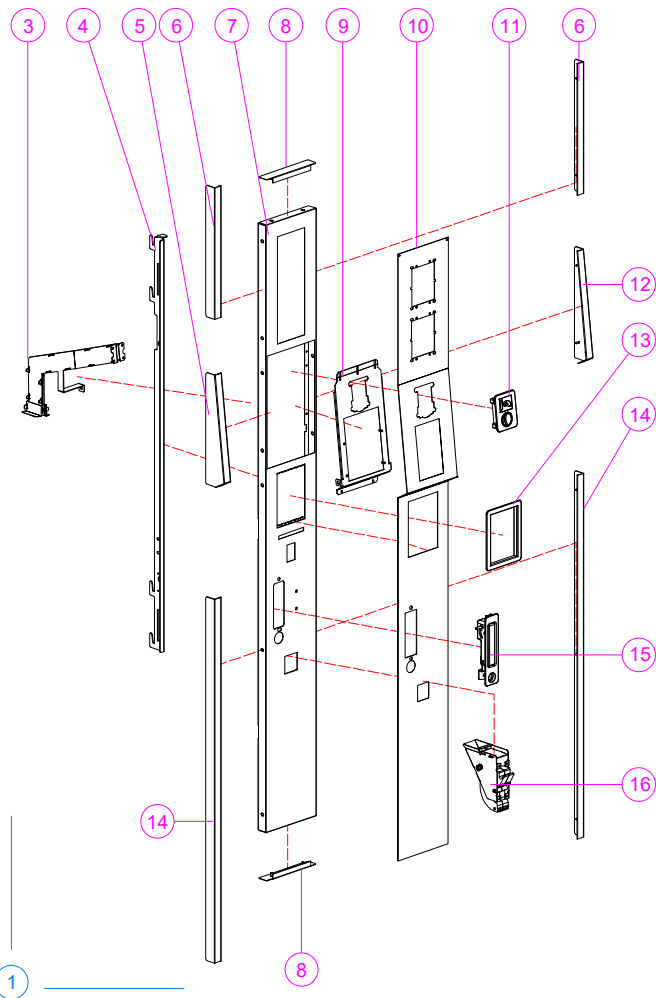
| Pos | Code | Description | Serial Number Nota |
|-----|----------|--------------------------------------|--------------------|
| 1 | 144954 | IC STD - TOUCH COIN INSERT | |
| 2 | 144954/1 | SC SCI - TOUCH COIN INSERT | |
| 3 | 412071 | SLIDE ROD RETAINER | |
| 4 | 412358 | SLIDE ROD | |
| 5 | 145128 | COINS CHANNEL ASSY | |
| 6 | 144956 | TOUCH PANEL RIVET ASSY | |
| 7 | 145883 | UPPER SIDE PROFILE WELD ASSY | |
| 8 | 143202 | TOP-BOTTOM DOOR PROFILE WELD ASSY | |
| 9 | 144958 | CONTROL PANEL WELD ASSY | |
| 10 | 145885 | SLOPING PROFILE RH WELD ASSY | |
| 11 | 145886 | BOTTOM SIDE PROFILE WELD ASSY DRINK | |
| 12 | 415297 | DISPLAY COVER SILKSCREEN PRINT PANEL | |
| 13 | 143672 | STD COIN INSERT ASSY | |
| 14 | 414875 | DRINK DELIVERY EYELET PANEL | |
| 15 | 143650 | CLOSURE DOOR ASSY | |
| 16 | 137126 | COIN RETURN ASSY | |
| 17 | 412763 | PANEL, COIN RETURN SILKSCREEN PRINT | |
| 18 | 145884 | SLOPING PROFILE LH WELD ASSY | |
| 19 | 412044 | BLACK LABEL INSTRUCTIONS | |
| 20 | 143458 | DELIVERY EYELET FRAME ASSY | |
| 21 | 144955 | COINS CHANNEL ASSY TOUCH | |



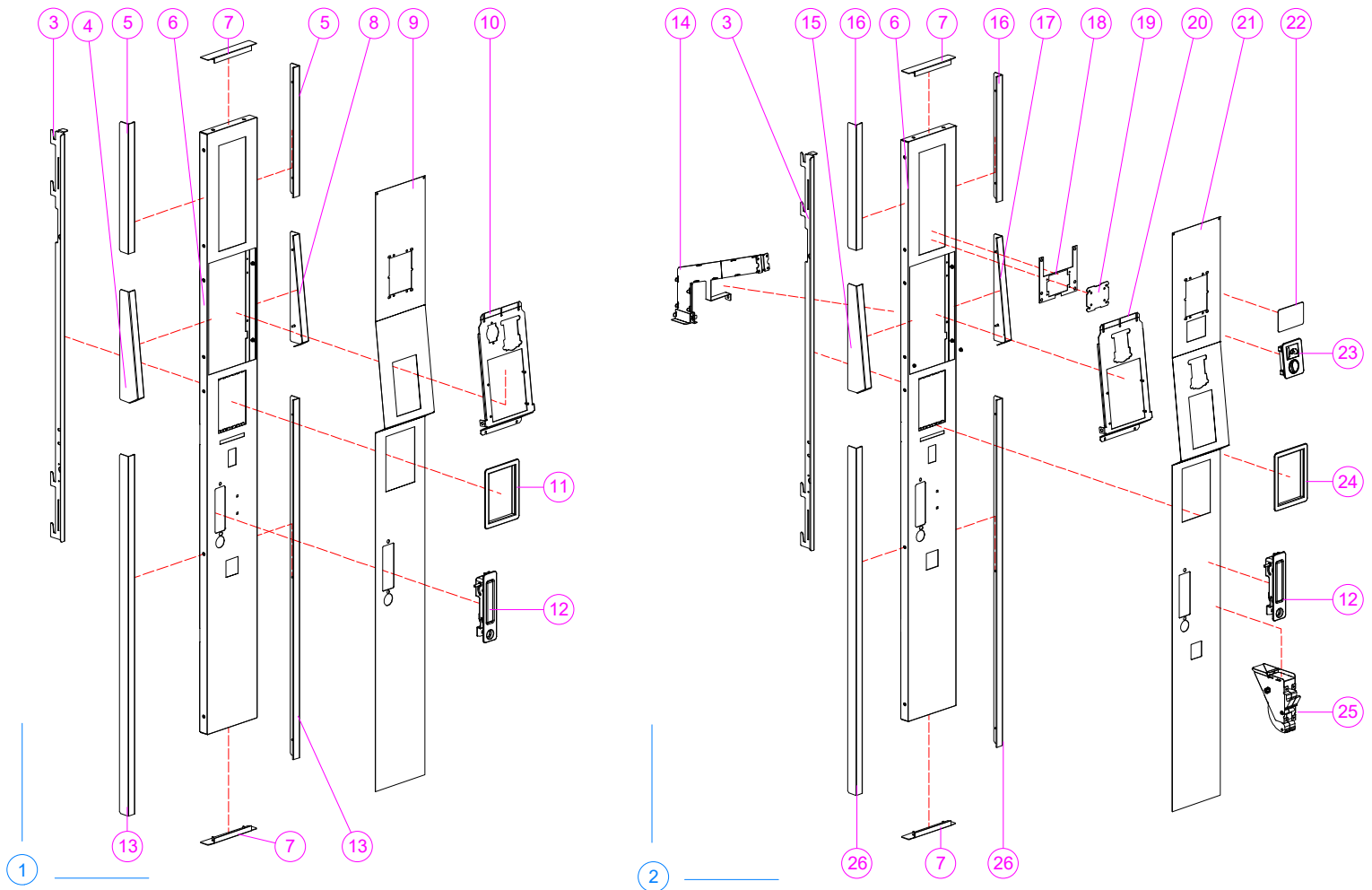
| Pos | Code | Description | Serial Number Nota |
|-----|--------|---------------------------|--------------------|
| 22 | 415419 | COIN CHANNEL FIXING PLATE | |
| 23 | 143597 | SLIDE COIN INSERT ASSY | |



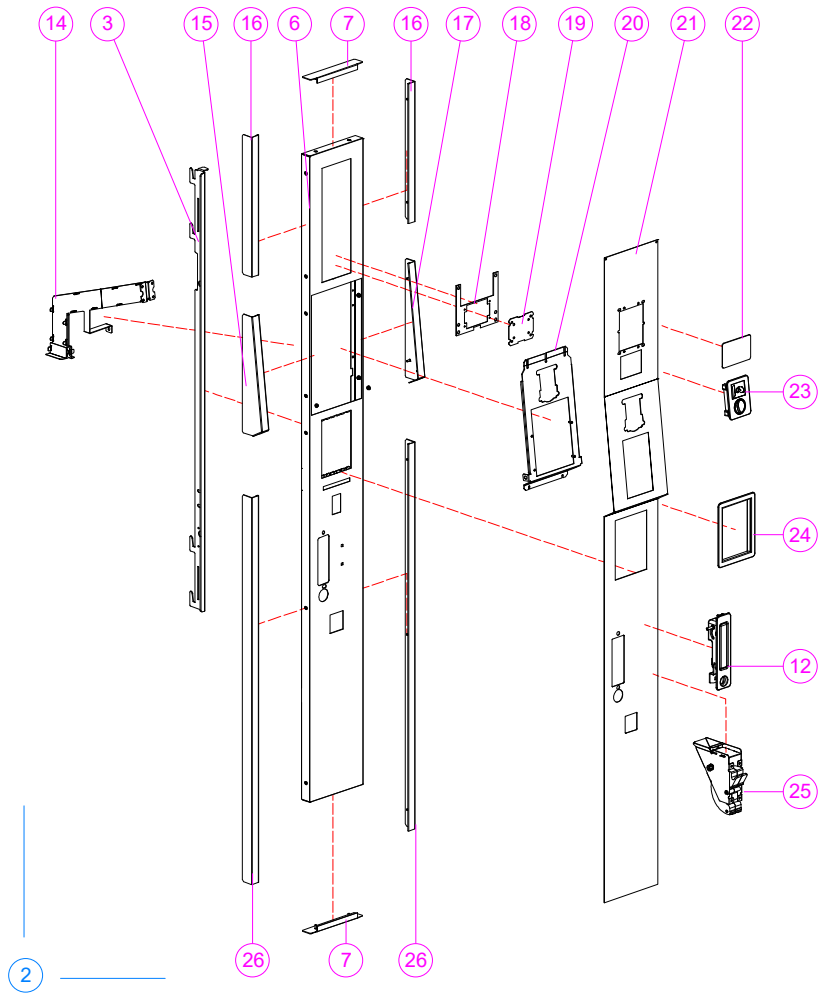
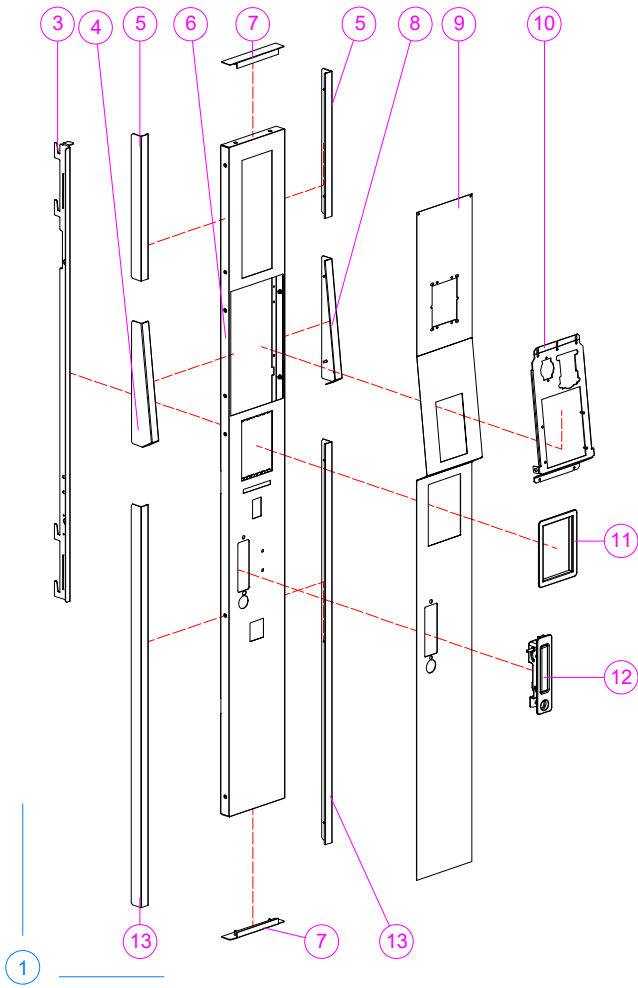
| Pos | Code | Description | Serial Number Nota |
|-----|----------|--------------------------------------|--------------------|
| 1 | 144954/2 | AL COIN INSERT TOUCH | |
| 2 | 412358 | SLIDE ROD | |
| 3 | 416515 | UPRIGHT RH-LH SIDE UP | |
| 4 | 414871 | CONTROL PANEL | |
| 5 | 411719 | DOOR UP-DOWN PROFILE | |
| 6 | 416513 | SLOPING PROFILE RH | |
| 7 | 417642 | CONTROL PANEL TOUCH | |
| 8 | 415297/1 | DISPLAY COVER SILKSCREEN PRINT PANEL | |
| 9 | 414875 | DRINK DELIVERY EYELET PANEL | |
| 10 | 143458 | DELIVERY EYELET FRAME ASSY | |
| 11 | 143650 | CLOSURE DOOR ASSY | |
| 12 | 410642 | PANEL, COIN RETURN SILKSCREEN PRINT | |
| 13 | 416514 | UPRIGHT RH-LH BOTTOM DRINK | |
| 14 | 416513/1 | SLOPING PROFILE LH | |



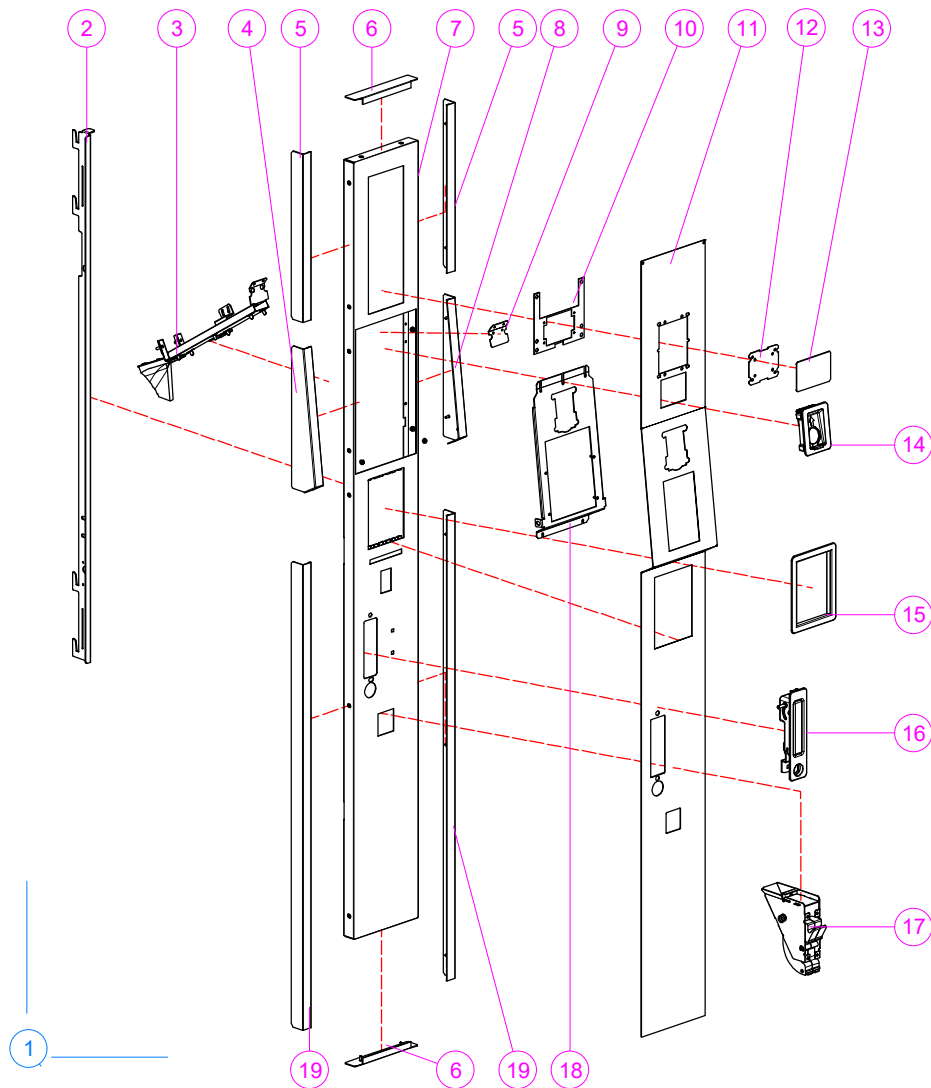
| Pos | Code | Description | Serial Number Nota |
|-----|----------|-------------------------------------|--------------------|
| 1 | 145869 | TD COINS INSERT STD-TOUCH FMP | |
| 2 | 145869/1 | TS COINS INSERT SCI-TOUCH FMP | |
| 3 | 145128 | COINS CHANNEL ASSY | |
| 4 | 412358 | SLIDE ROD | |
| 5 | 145884 | SLOPING PROFILE LH WELD ASSY | |
| 6 | 145883 | UPPER SIDE PROFILE WELD ASSY | |
| 7 | 144958 | CONTROL PANEL WELD ASSY | |
| 8 | 143202 | TOP-BOTTOM DOOR PROFILE WELD ASSY | |
| 9 | 144956 | TOUCH PANEL RIVET ASSY | |
| 10 | 416459 | CONTROL PANEL TOUCH FMP | |
| 11 | 143672 | STD COIN INSERT ASSY | |
| 12 | 145885 | SLOPING PROFILE RH WELD ASSY | |
| 13 | 143458 | DELIVERY EYELET FRAME ASSY | |
| 14 | 145886 | BOTTOM SIDE PROFILE WELD ASSY DRINK | |
| 15 | 143650 | CLOSURE DOOR ASSY | |
| 16 | 137126 | COIN RETURN ASSY | |
| 17 | 144955 | COINS CHANNEL ASSY TOUCH | |
| 18 | 415419 | COIN CHANNEL FIXING PLATE | |
| 19 | 143597 | SLIDE COIN INSERT ASSY | |



| Pos | Code | Description | Serial Number Nota |
|-----|----------|---|--------------------|
| 1 | 145869/2 | TL WITHOUT COINS INSERT TOUCH FMP | |
| 2 | 145869/3 | 2U COINS INSERT STD-TOUCH AGE FMP DRINK | |
| 3 | 412358 | SLIDE ROD | |
| 4 | 145884/1 | SLOPING PROFILE LH WELD ASSY | |
| 5 | 145883/1 | UPPER SIDE PROFILE WELD ASSY | |
| 6 | 144958 | CONTROL PANEL WELD ASSY | |
| 7 | 143202 | TOP-BOTTOM DOOR PROFILE WELD ASSY | |
| 8 | 145885/1 | SLOPING PROFILE RH WELD ASSY | |
| 10 | 144956/1 | PANEL TOUCH RIV.ASSY | |
| 11 | 143458/1 | DELIVERY EYELET FRAME ASSY | |
| 12 | 143650 | CLOSURE DOOR ASSY | |
| 13 | 145886/1 | BOTTOM SIDE PROFILE WELD ASSY DRINK | |
| 14 | 145128 | COINS CHANNEL ASSY | |
| 15 | 145884 | SLOPING PROFILE LH WELD ASSY | |
| 16 | 145883 | UPPER SIDE PROFILE WELD ASSY | |
| 17 | 145885 | SLOPING PROFILE RH WELD ASSY | |
| 18 | 410163/1 | DM/SM AGE READER PLATE | |
| 19 | 407997 | REAR COVER HOLE READER | |
| 20 | 144956 | TOUCH PANEL RIVET ASSY | |
| 21 | 416459/2 | CONTROL PANEL TOUCH FMP | |
| 22 | 142792 | PLUG WELD ASSY | |

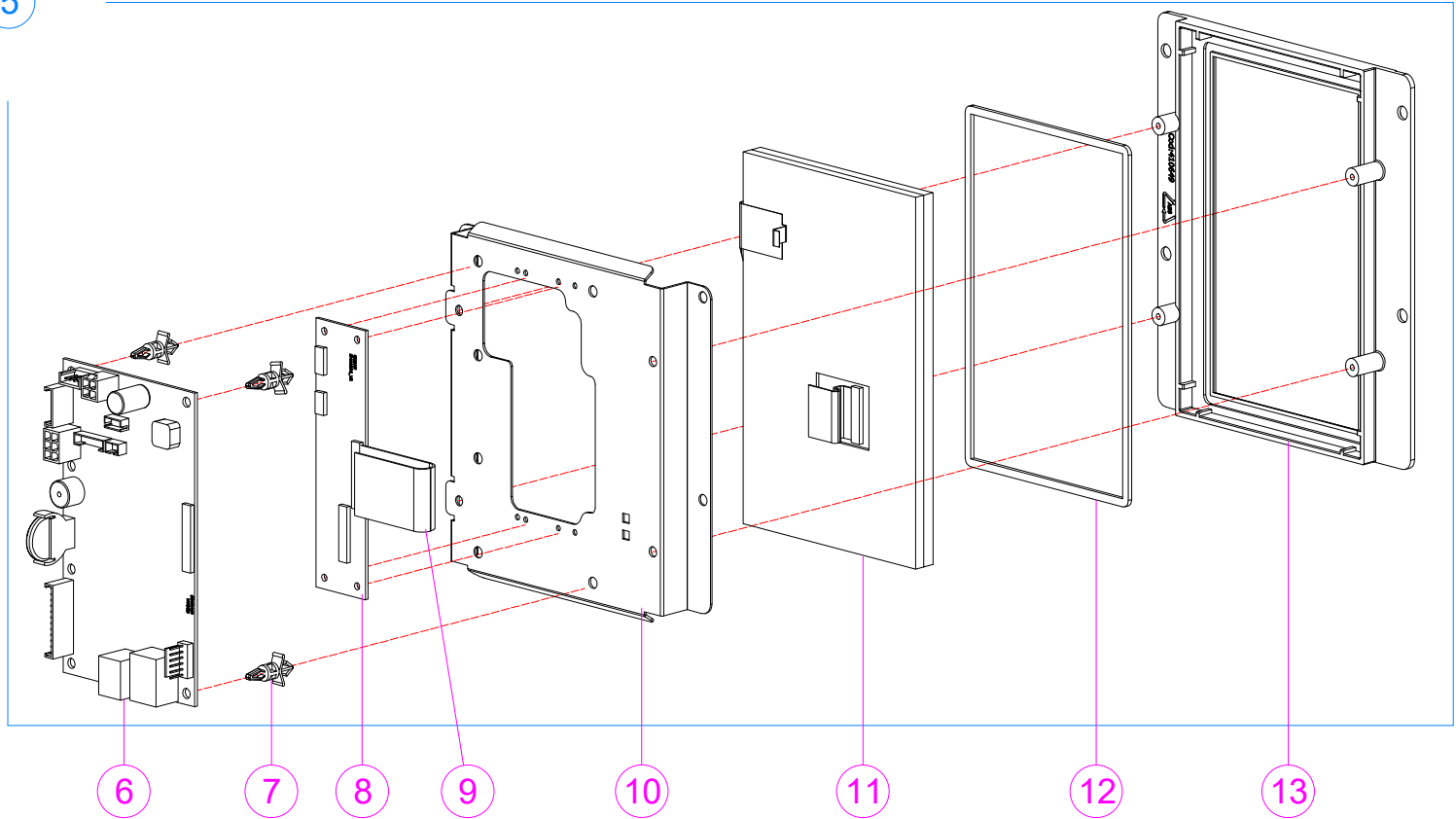


| Pos | Code | Description | Serial Number Nota |
|-----|--------|-------------------------------------|--------------------|
| 23 | 143672 | STD COIN INSERT ASSY | |
| 24 | 143458 | DELIVERY EYELET FRAME ASSY | |
| 25 | 137126 | COIN RETURN ASSY | |
| 26 | 145886 | BOTTOM SIDE PROFILE WELD ASSY DRINK | |

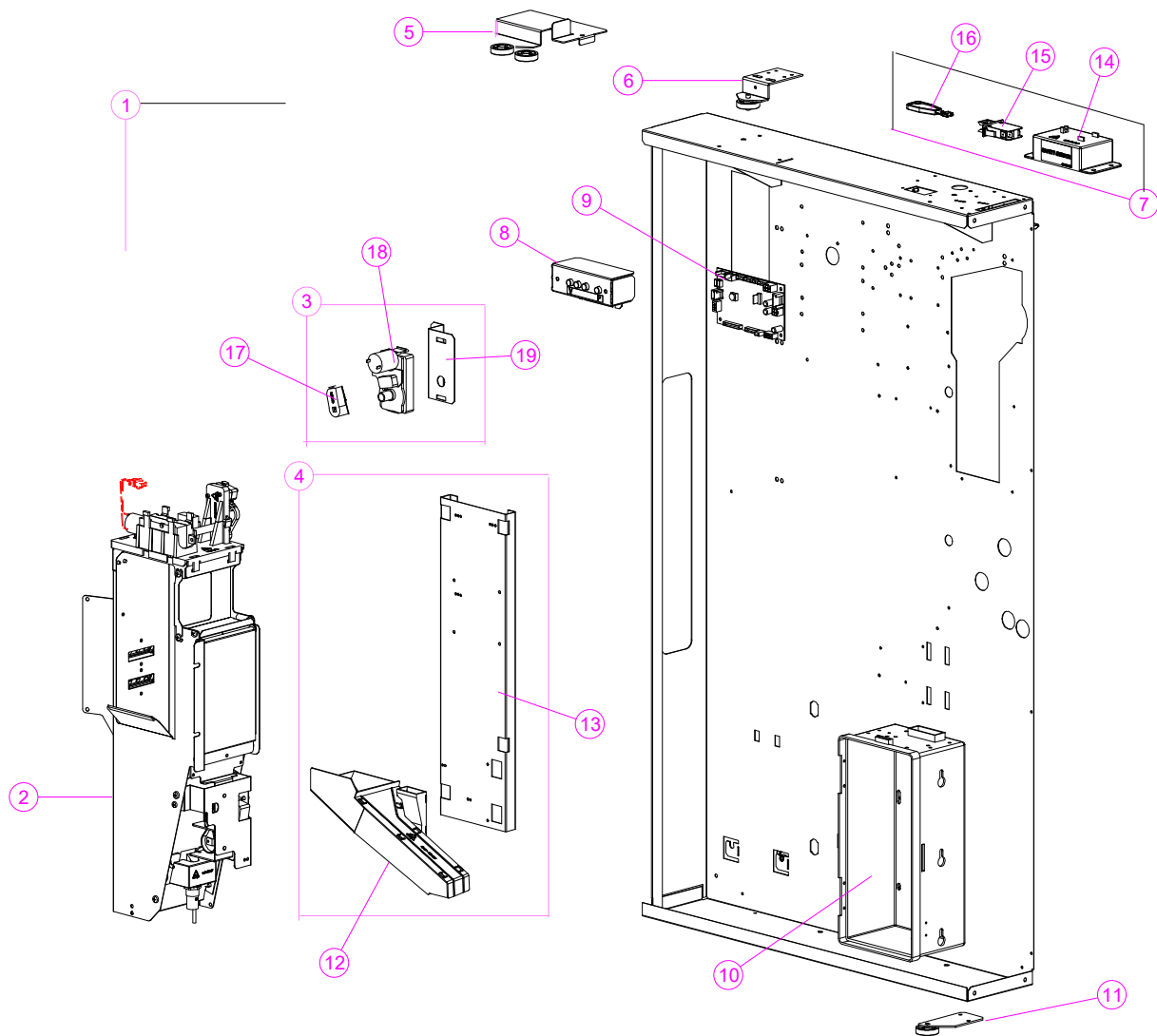


| Pos | Code | Description | Serial Number Nota |
|-----|----------|---|--------------------|
| 1 | 145869/4 | 2T COINS INSERT SCI-TOUCH AGE FMP DRINK | |
| 2 | 412358 | SLIDE ROD | |
| 3 | 144955 | COINS CHANNEL ASSY TOUCH | |
| 4 | 145884 | SLOPING PROFILE LH WELD ASSY | |
| 5 | 145883 | UPPER SIDE PROFILE WELD ASSY | |
| 6 | 143202 | TOP-BOTTOM DOOR PROFILE WELD ASSY | |
| 7 | 144958 | CONTROL PANEL WELD ASSY | |
| 8 | 145885 | SLOPING PROFILE RH WELD ASSY | |
| 9 | 415419 | COIN CHANNEL FIXING PLATE | |
| 10 | 410163/1 | DM/SM AGE READER PLATE | |
| 11 | 416459/2 | CONTROL PANEL TOUCH FMP | |
| 12 | 407997 | REAR COVER HOLE READER | |
| 13 | 142792 | PLUG WELD ASSY | |
| 14 | 143597 | SLIDE COIN INSERT ASSY | |
| 15 | 143458 | DELIVERY EYELET FRAME ASSY | |
| 16 | 143650 | CLOSURE DOOR ASSY | |
| 17 | 137126 | COIN RETURN ASSY | |
| 18 | 144956 | TOUCH PANEL RIVET ASSY | |
| 19 | 145886 | BOTTOM SIDE PROFILE WELD ASSY DRINK | |

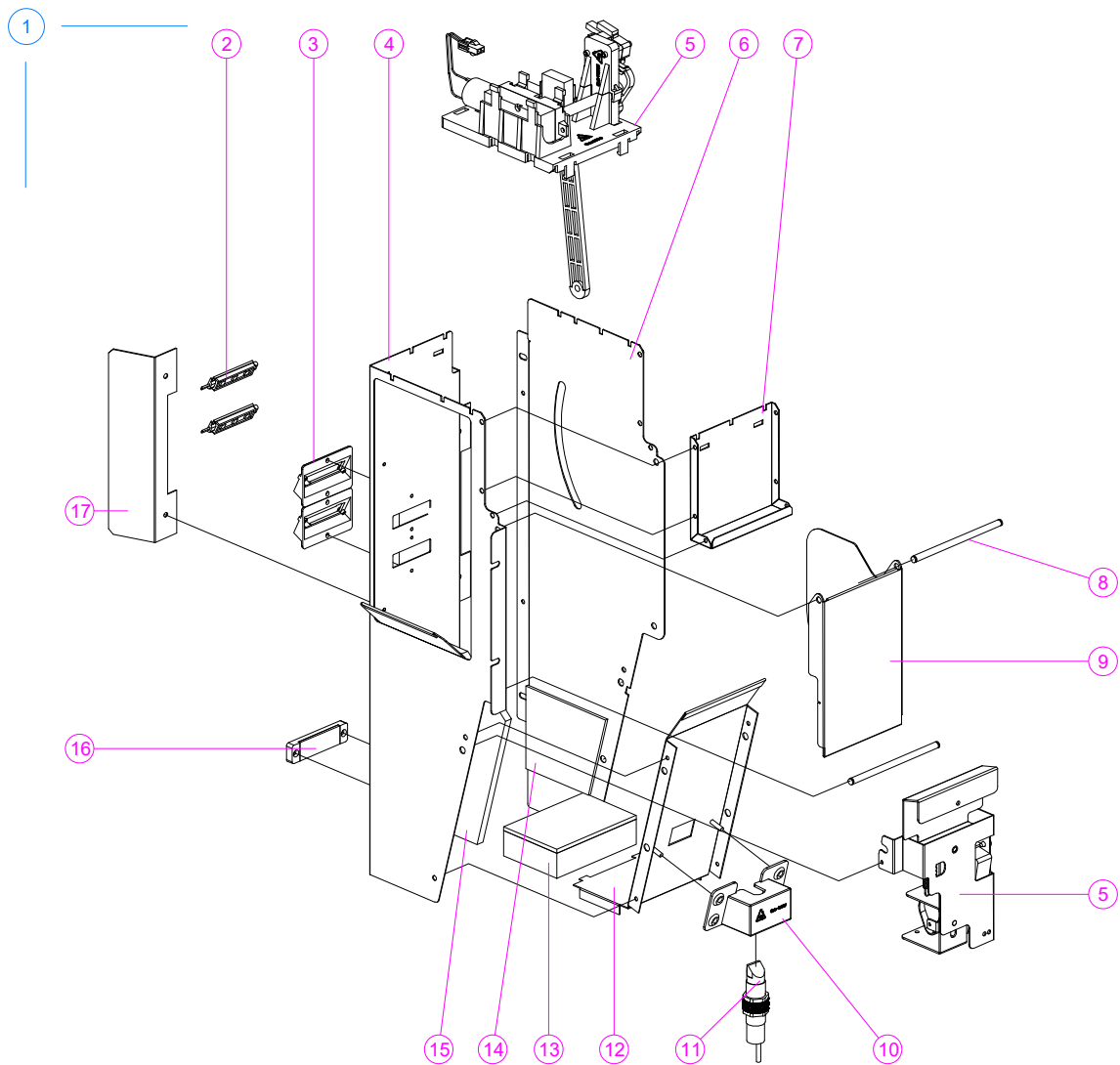
5



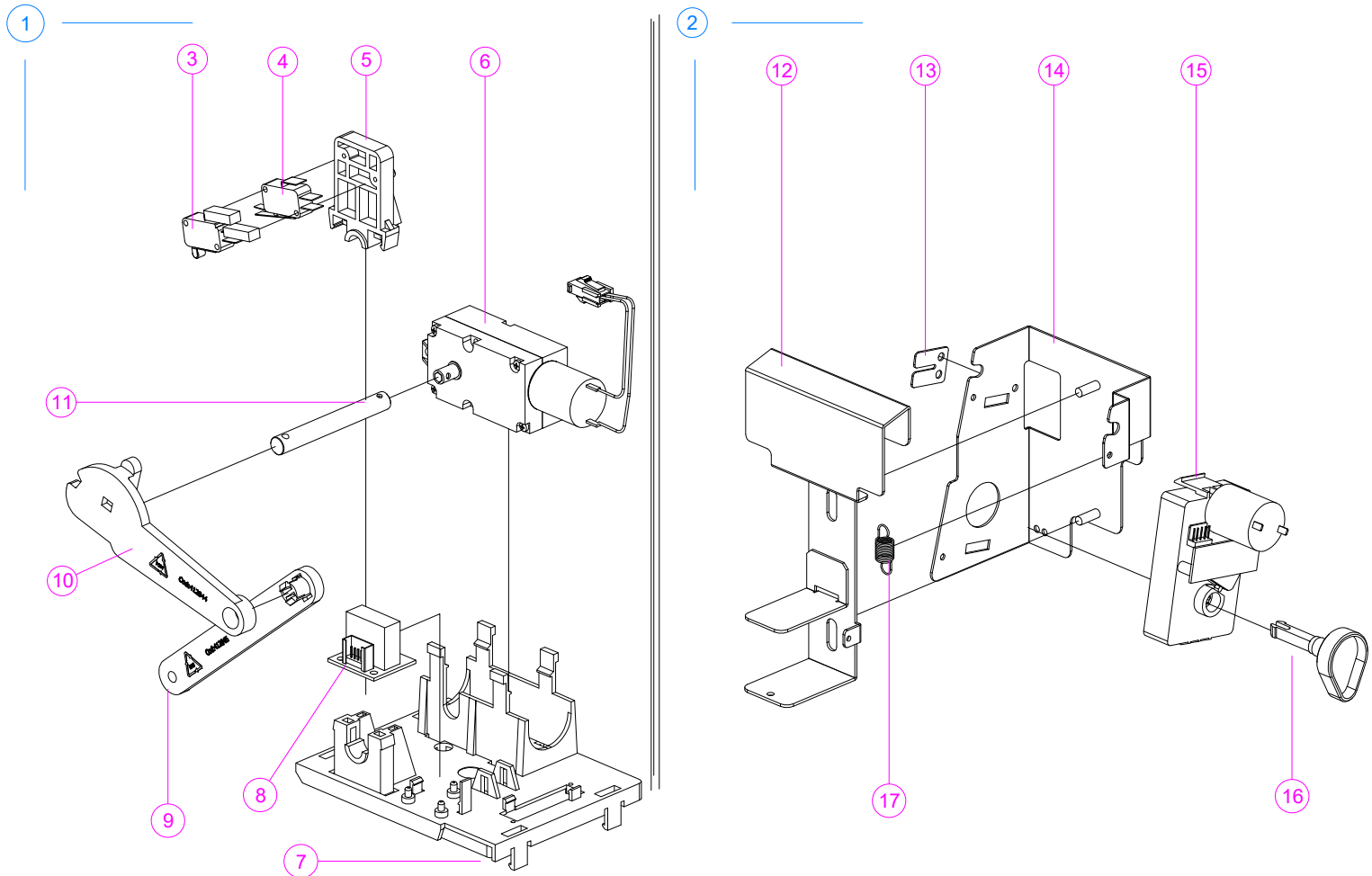
| Pos | Code | Description | Serial Number Nota |
|-----|----------|----------------------------------|------------------------|
| 5 | 142670/1 | DA TOUCH SCREEN 7" | |
| 5 | 142670/2 | DB TOUCH SCREEN 7" GORILLA GLASS | |
| 6 | 410591 | OS LINUX EMA0206 BOARD | |
| 7 | 386348 | SUPPORT | |
| 8 | 409753 | DISPLAY 7" ADAPTER BOARD | |
| 9 | 144972 | FLAT HARNESS 100mm | |
| 10 | 410652/1 | OS BOARD SUPPORT | Only with P/N 409752/1 |
| 10 | 410652/2 | BOARD GORILLA SUPPORT | Only with P/N 409752/2 |
| 11 | 142157/1 | DISPLAY TOUCH 7" CAPACITIVE ASSY | Only with P/N 142670/1 |
| 11 | 142157/2 | 7"CAP.GORIL.DISPLAY+BOARD ASSY | Only with P/N 142670/2 |
| 11 | 409752/1 | DISPLAY 7" CAPACITIVE | Only with P/N 400652/1 |
| 11 | 409752/2 | DISPLAY 7" CAPACITIVE GORILLA | Only with P/N 400652/2 |
| 12 | 410532/2 | DISPLAY 7" GASKET | |
| 13 | 410649 | DISPLAY 7" SUPPORT | |



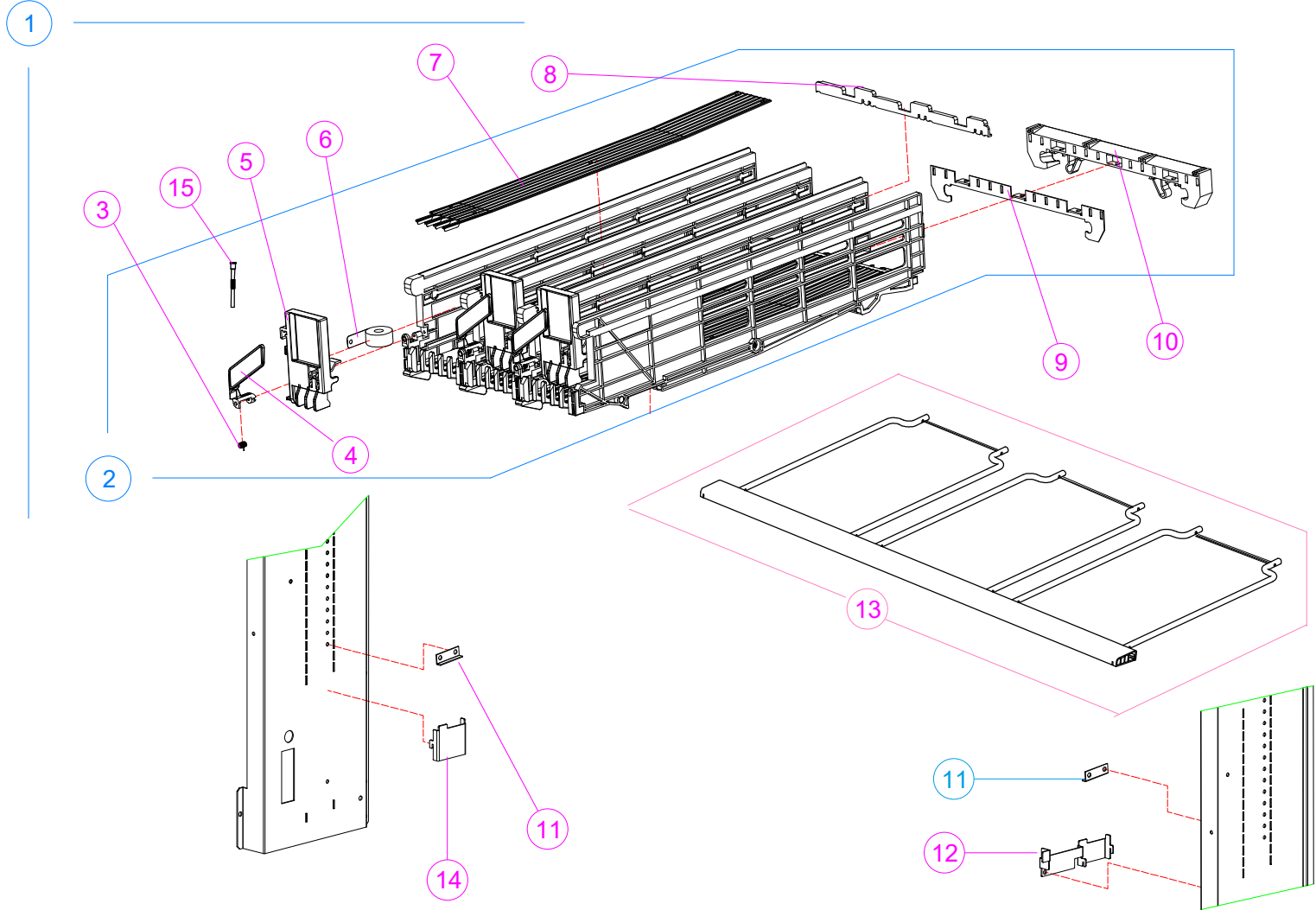
| Pos | Code | Description | Serial Number Nota |
|-----|----------|--|--------------------|
| 1 | 143906/3 | DT6 - DT9 SLIDING PANEL ASSEMBLY | |
| 2 | 142393/1 | DT6/9 FLAP ASSY | |
| 3 | 143207 | COINS RETURN MOTOR ASSY | |
| 4 | 141356 | ASS. COIN BOX SUPPORT ASSEMBLY | |
| 5 | 143725/2 | REAR CENTERING WHEEL ASSY | |
| 6 | 143725 | FRONT UPPER CENTERING WHEEL DOOR ASSY | |
| 7 | 144260 | MICRO DRAWER ASSY | |
| 8 | 145692 | PROGRAM.KEYBOARD ASM | |
| 9 | 414370 | BOARD EMA0226 24V DC | |
| 10 | 400771 | PLASTIC BOX HOUSING | |
| 11 | 140406 | FRONT BOTTOM CENTERING WHEEL DOOR ASSY | |
| 12 | 142053 | COIN RETURN CHANNEL ASSY (in plastic) | |
| 13 | 407690 | COIN BOX SUPPORT | |
| 14 | 410696 | PLASTIC SWITCH BOX COVER | |
| 15 | 393220 | SWITCH XTD22 | |
| 16 | 412370 | POWER KEY | |
| 17 | 411352 | MONEY RETURN CAM | |
| 18 | 411892 | FIBER MOTOR | |
| 19 | 411052 | COINS RETURN MOTOR SUPPORT | |



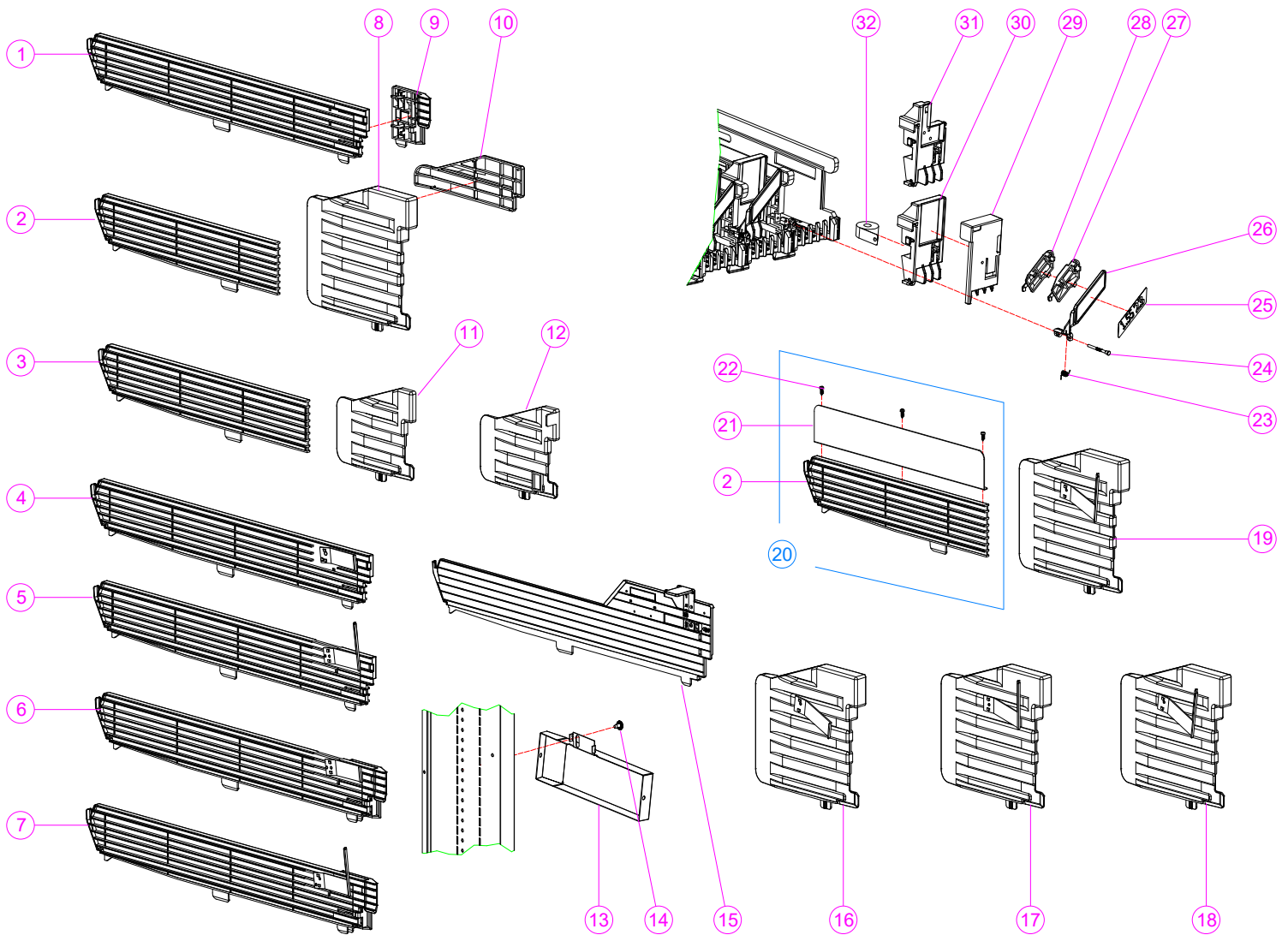
| Pos | Code | Description | Serial Number Nota |
|-----|----------|-------------------------------|--------------------|
| 1 | 142393 | DL-DV-DM FLAP ASSY | 2614003687 - Z |
| 2 | 408035 | LED BOARD | |
| 3 | 412664 | FLAP LED SUPPORT | |
| 4 | 142394 | LH SIDE FLAP RIVET ASSY | |
| 6 | 409299 | FLAP CASING RH | |
| 7 | 412825 | FRONT FLAP | |
| 8 | 411766 | DOOR ROTATION PIN | |
| 9 | 143321 | FRONT DOOR DRUM RIVET ASSY | |
| 10 | 408437 | PHOTOCELL SUPPORT | |
| 11 | 408174 | FAR/BN-2A MD PHOTOCELL | |
| 12 | 143717/1 | FLAP FRONT SUPPORT RIV.ASSY | |
| 12 | 143717 | FRONT SUPPORT FLAP RIVET ASSY | |
| 13 | 413125 | FLAP BOTTOM | |
| 14 | 413130 | FLAP RUBBER SPONGE | |
| 15 | 413126 | FLAP RUBBER SPONGE | |
| 16 | 408175 | REFLECTOR RL 112G MD | |
| 17 | 410254/1 | COINAGE BUTTONS ANTIVANDALISM | |



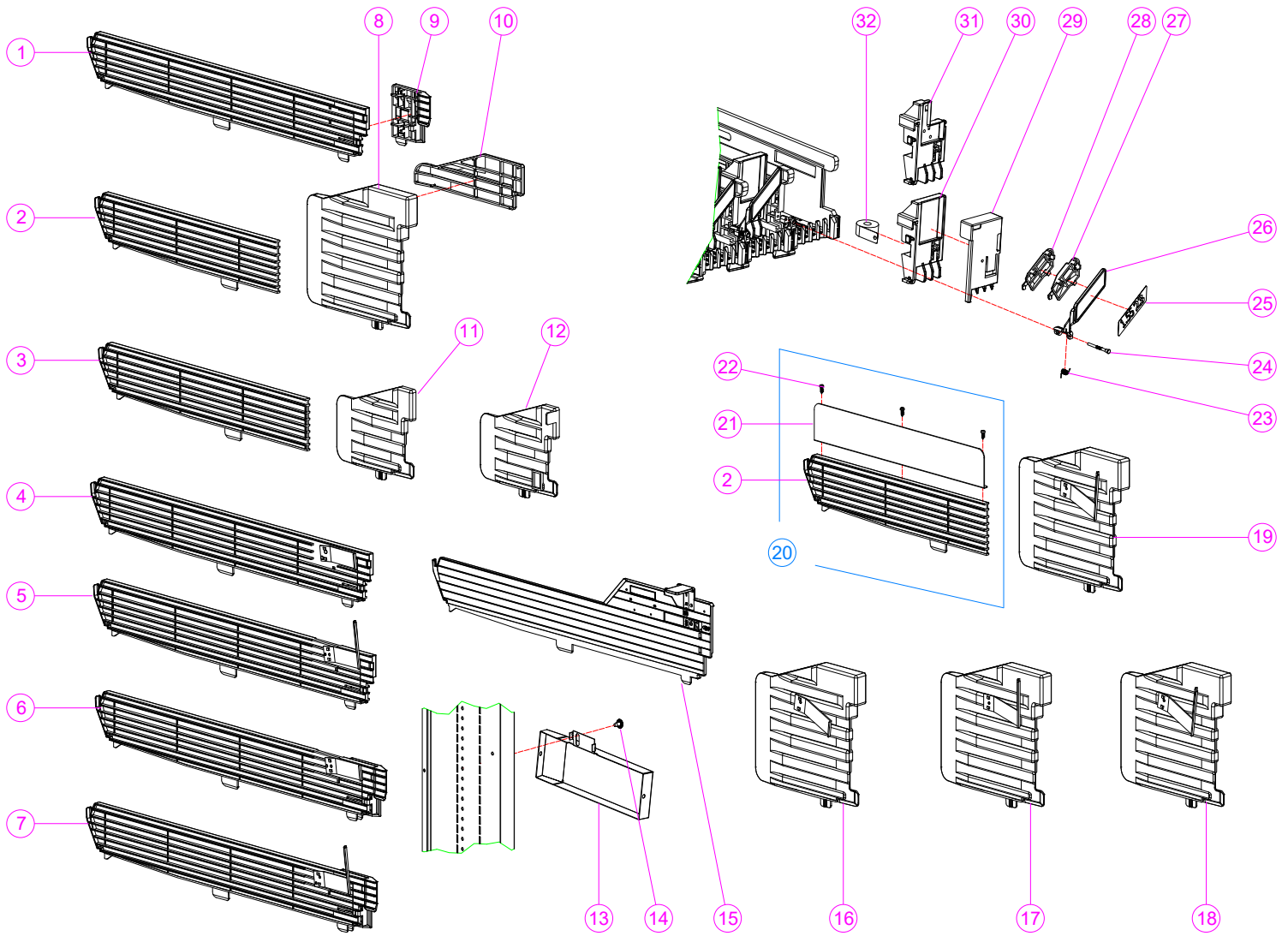
| Pos | Code | Description | Serial Number Nota |
|-----|----------|-------------------------------------|--------------------|
| 1 | 143962 | UPPER FLAP ASSY | 2614003687 - Z |
| 2 | 143715 | FLAP STOPPER SUPPORT ASSY | |
| 3 | 392095 | SWITCH AM51615C73MAT | |
| 4 | 392062 | MICRO SWITCH | |
| 5 | 413065 | UPPER SWITCH SUPPORT FLAP | |
| 6 | 138298/3 | REDUCE MOTOR FOR SHUTTER | |
| 7 | 412846 | UPPER FLAP | |
| 8 | 401489 | RELE BOARD | |
| 9 | 412845 | FLAP LEVER | |
| 10 | 412844 | MICRO FLAP CAM | |
| 11 | 412869 | SHAFT, OPENING / CLOSING SHUTTER | |
| 12 | 143959 | STOP LEVER VEND DOOR FLAP WELD ASSY | |
| 13 | 412525 | STOP MOTOR | |
| 14 | 143788 | FLAP STOPPER SUPPORT ASSY | |
| 15 | 407735 | GEARED MOTOR | |
| 16 | 407880 | CAM | |
| 17 | 395450 | SPRING | |



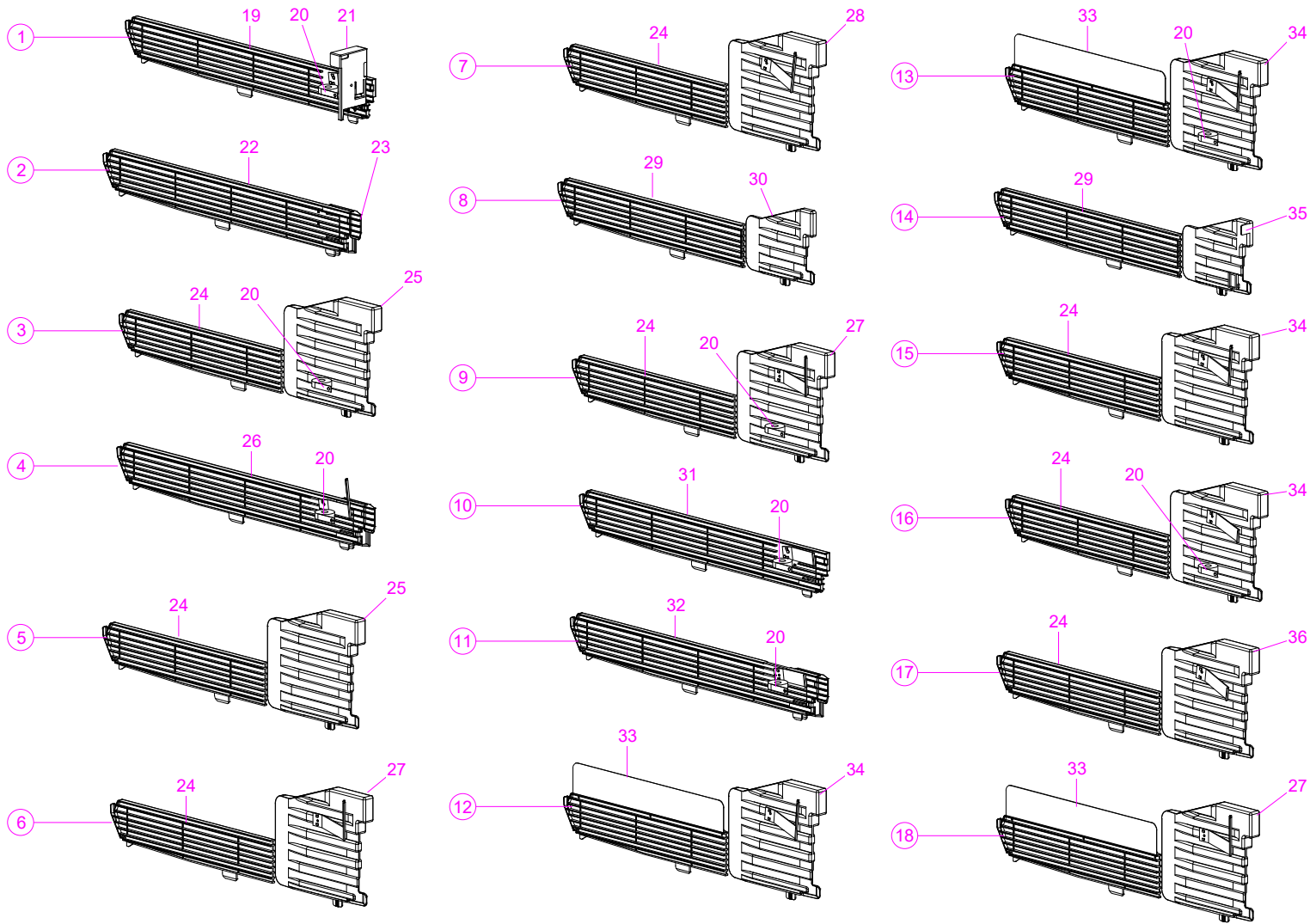
| Pos | Code | Description | Serial Number Nota |
|-----|----------|---------------------|--------------------|
| 1 | 141117 | STD SHELF ASSY GF9 | |
| 2 | 141098 | TRAY ASSY | |
| 3 | 408556 | TORSION SPRING GATE | |
| 4 | 408555 | PRODUCT GATE | |
| 5 | 408489 | PUSHER TRAY | |
| 6 | 408488 | SPRING PUSHER TRAY | |
| 7 | 408554 | PRODUCT SLIDER | |
| 8 | 411328 | STIFFENER COLUMN | |
| 9 | 408551 | STIFFENER TRAY | |
| 10 | 408549 | COLUMN BACK | |
| 11 | 414046 | RH-LH SHELF STOPPER | 2721012178 - Z |
| 12 | 406556 | RH SHELF SUPPORT | |
| 13 | 141101 | SHELF ASSY | |
| 14 | 406552/1 | LH SHELF SUPPORT | |
| 15 | 408557 | PIVOT PIN GATE | |



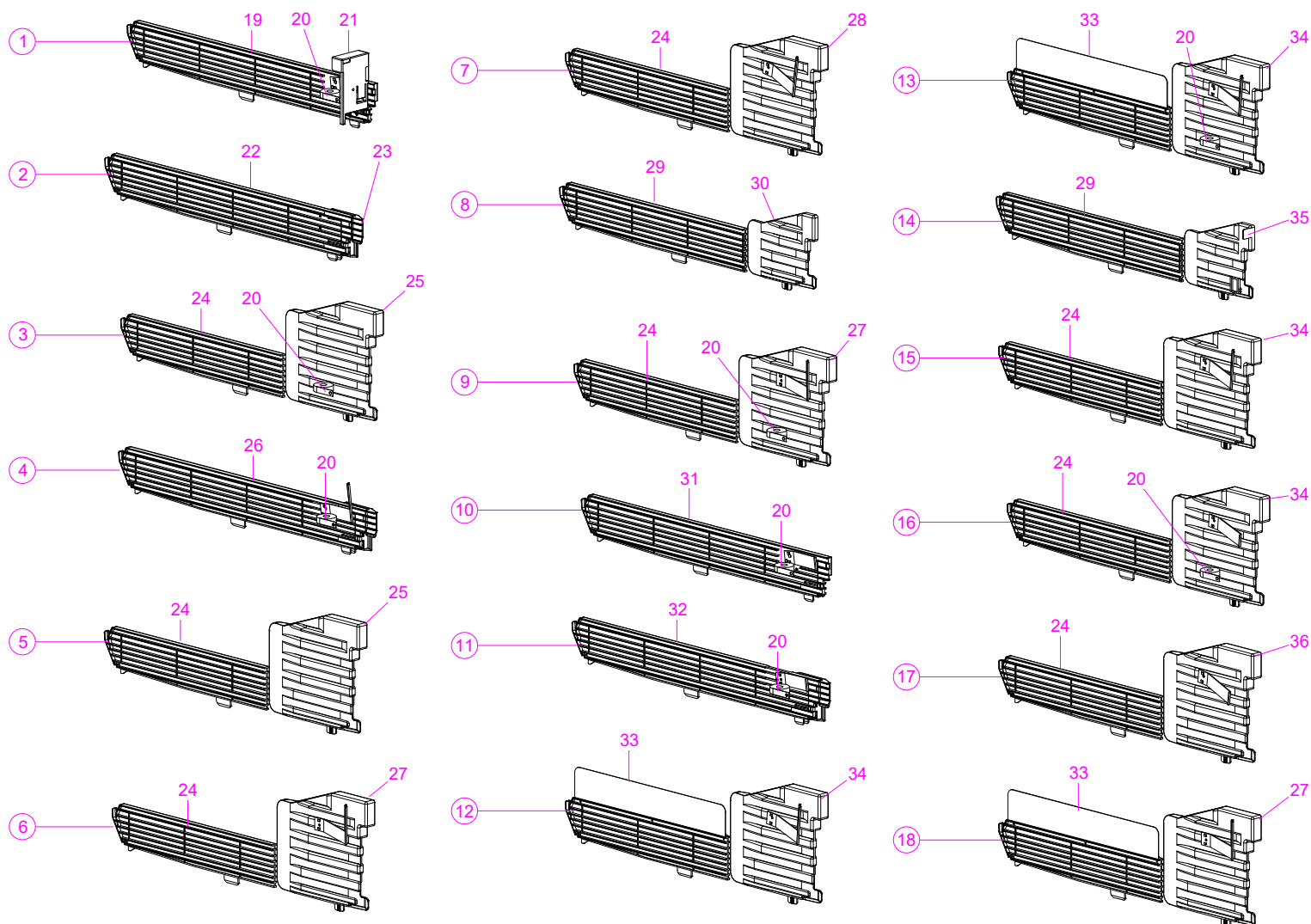
| Pos | Code | Description | Serial Number Nota |
|-----|----------|-------------------------|--------------------|
| 1 | 407852 | SA SPACER "A" | |
| 2 | 407852/2 | SPACER "A2" | |
| 3 | 407852/1 | SPACER "A1" | |
| 4 | 143366 | HC SPACER "N" | |
| 5 | 142507 | HH SPACER "S" | |
| 6 | 143685 | HE SPACER "Q" | |
| 7 | 143356 | HC SPACER "N" | |
| 8 | 408654 | SD SPACER "D" | |
| 9 | 407853 | SB SPACER "B" | |
| 10 | 408656 | SE SPACER "E" | |
| 11 | 407851 | SC SPACER "C" | |
| 12 | 411353 | SX SPACER "C1" | |
| 13 | 141712 | SG "G" SPACER ASSY | |
| 14 | V800569 | SCREW TC+ 4,8x6,5 | |
| 15 | 408099 | SPACER "CL" | |
| 16 | 142910 | HK SPACER "H" | |
| 17 | 143119 | HJ SPACER "M" | |
| 18 | 142961 | Li SPACER "L" | |
| 19 | 143689 | HJ SPACER "R" | |
| 20 | 143690 | HG SPACER "R1" | |
| 21 | 412445 | EXTENSION FOR SPACER A2 | |



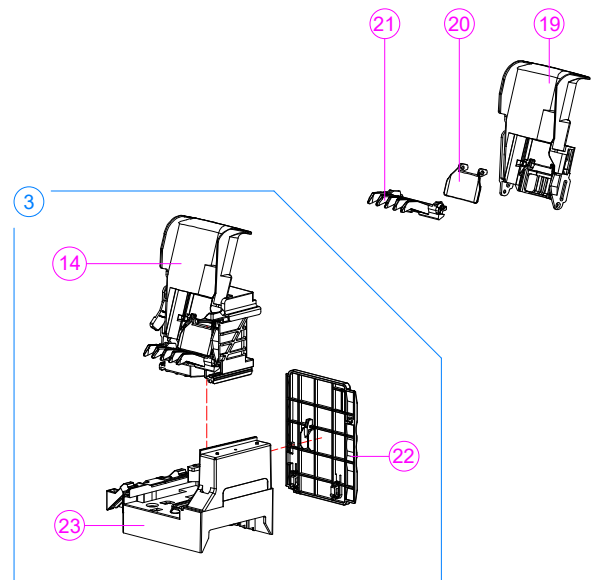
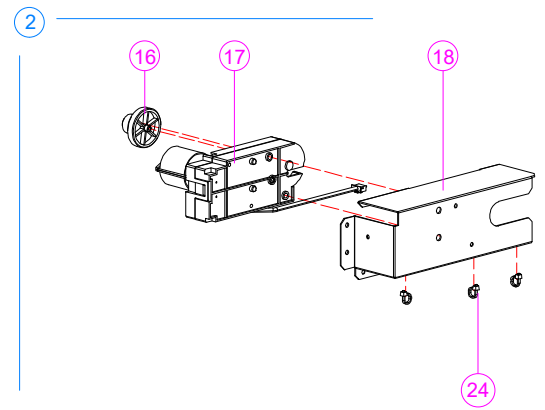
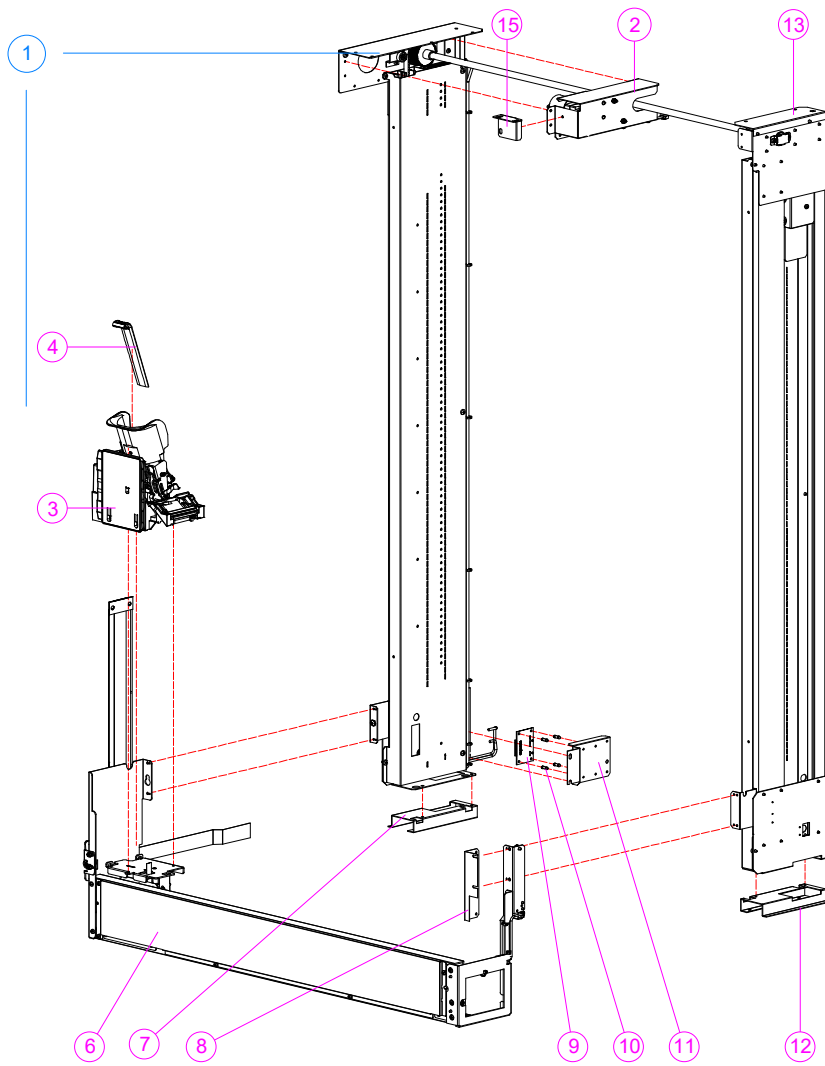
| Pos | Code | Description | Serial Number Nota |
|-----|-----------|---------------------------------------|--------------------|
| 22 | 381603/15 | SCREW TC+ 2,9X9,5 INOX | |
| 23 | 408556 | TORSION SPRING GATE | |
| 24 | 408557 | PIVOT PIN GATE | |
| 25 | 407752/2 | SELECTION LABEL [11, 12, 13, ...19] | |
| 25 | 407752/3 | SELECTION LABEL [10, 20, 30, ...70] | |
| 25 | 407753 | 1 PRICES LAYOUT LABEL | |
| 25 | 407753/1 | 2 PRICES LAYOUT LABEL | |
| 25 | 407753/2 | PRICES LABEL [8,88 white background] | |
| 25 | 407753/3 | 3 PRICES LAYOUT LABEL | |
| 26 | 408555 | PRODUCT GATE | |
| 27 | 408620 | SF GATE THICKNESS DRAWER "F" | |
| 28 | 408620/1 | SJ REDUCED GATE THICKNESS DRAWER "F1" | |
| 29 | 408100 | COVER PUSHER (FOR MILK BOTTLE) | |
| 30 | 408489 | PUSHER TRAY | |
| 31 | 408102 | PUSHER WITH CUT CORNER | |
| 32 | 408488 | SPRING PUSHER TRAY | |
| 32 | 408488/1 | REDUCED SPRING PUSHER TRAY | |



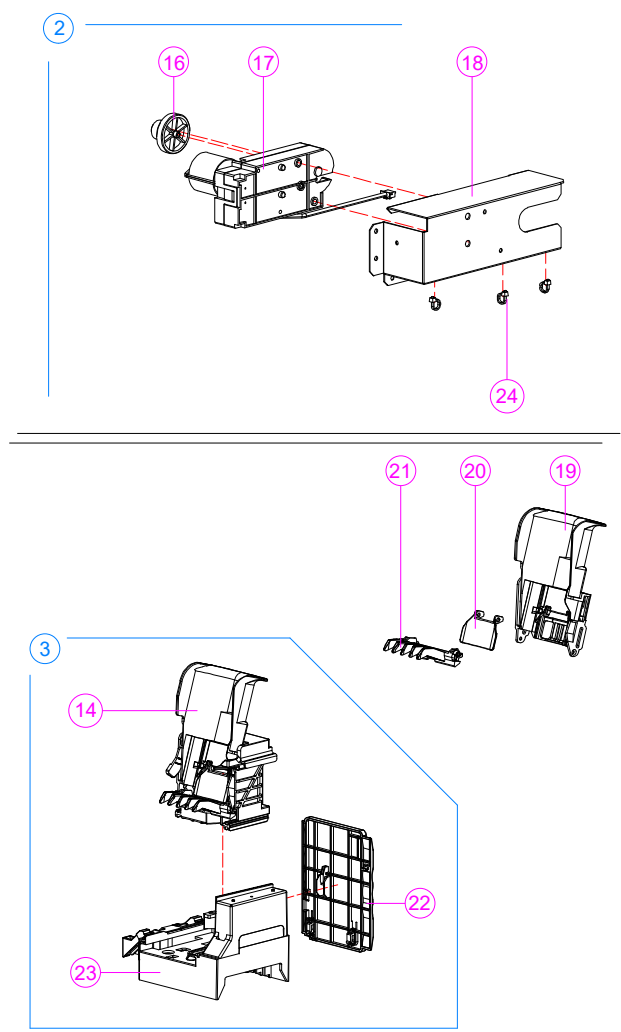
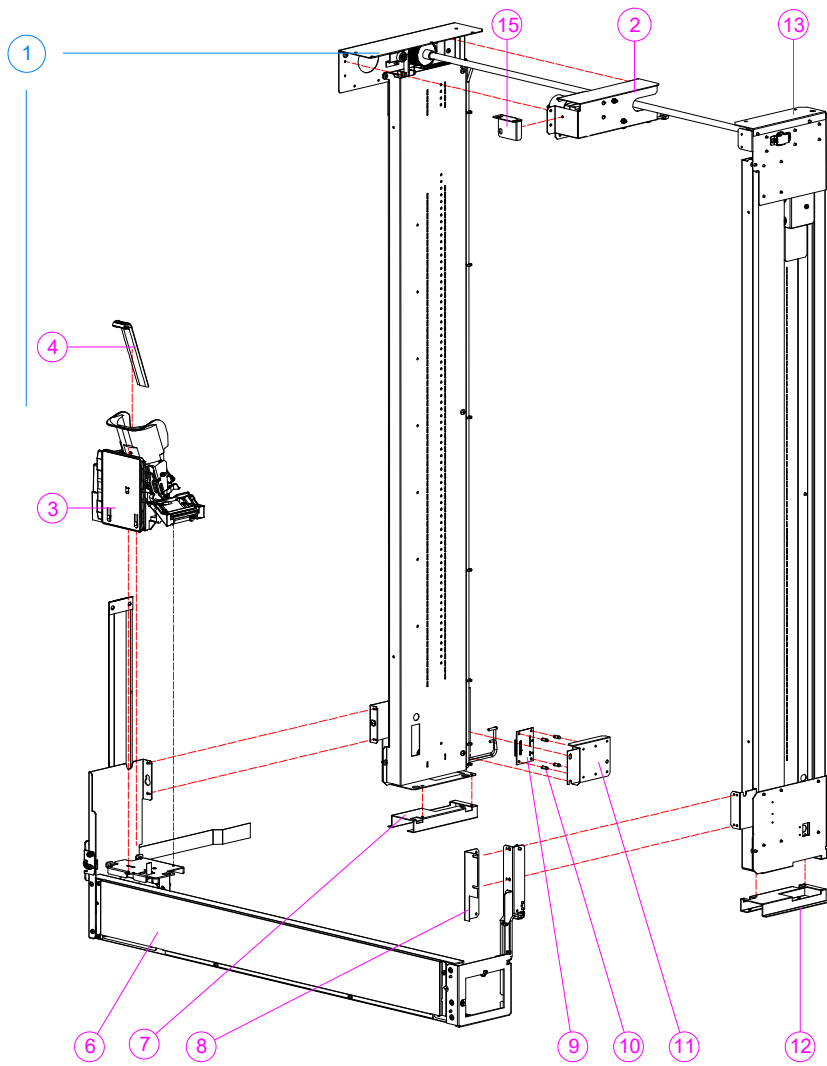
| Pos | Code | Description | Serial Number Nota |
|-----|-----------|--------------------------------|--------------------|
| 1 | 143371 | KIT SPACERS P+SPRING+COVER | |
| 2 | 143371/1 | KIT SPACERS A+B | |
| 3 | 143371/2 | KIT SPACERS A2+D+SPRING | |
| 4 | 143371/3 | KIT SPACERS N+SPRING | |
| 5 | 143371/4 | KIT SPACERS A2+D | |
| 6 | 143371/5 | KIT SPACERS A2+M | |
| 7 | 143371/13 | KIT SPACERS A2+L | |
| 8 | 143371/16 | KIT SPACERS A1+C | |
| 9 | 143371/17 | KIT SPACERS A2+M | |
| 10 | 143371/18 | KIT SPACERS P+SPRING | |
| 11 | 143371/19 | KIT SPACERS Q+SPRING | |
| 12 | 143371/20 | KIT SPACERS R+R1 | |
| 13 | 143371/21 | KIT SPACERS R+R1+SPRING | |
| 14 | 143371/22 | KIT SPACERS A1+C1 | |
| 15 | 143371/24 | KIT SPACERS R+A2 | |
| 16 | 143371/26 | KIT SPACERS A2+R | |
| 17 | 143371/27 | KIT SPACERS A2+H | |
| 18 | 143371/28 | KIT SPACERS R1+M | |
| 19 | 143366 | HC SPACER "N" | |
| 20 | 408488/1 | REDUCED SPRING PUSHER TRAY | |
| 21 | 408100 | COVER PUSHER (FOR MILK BOTTLE) | |



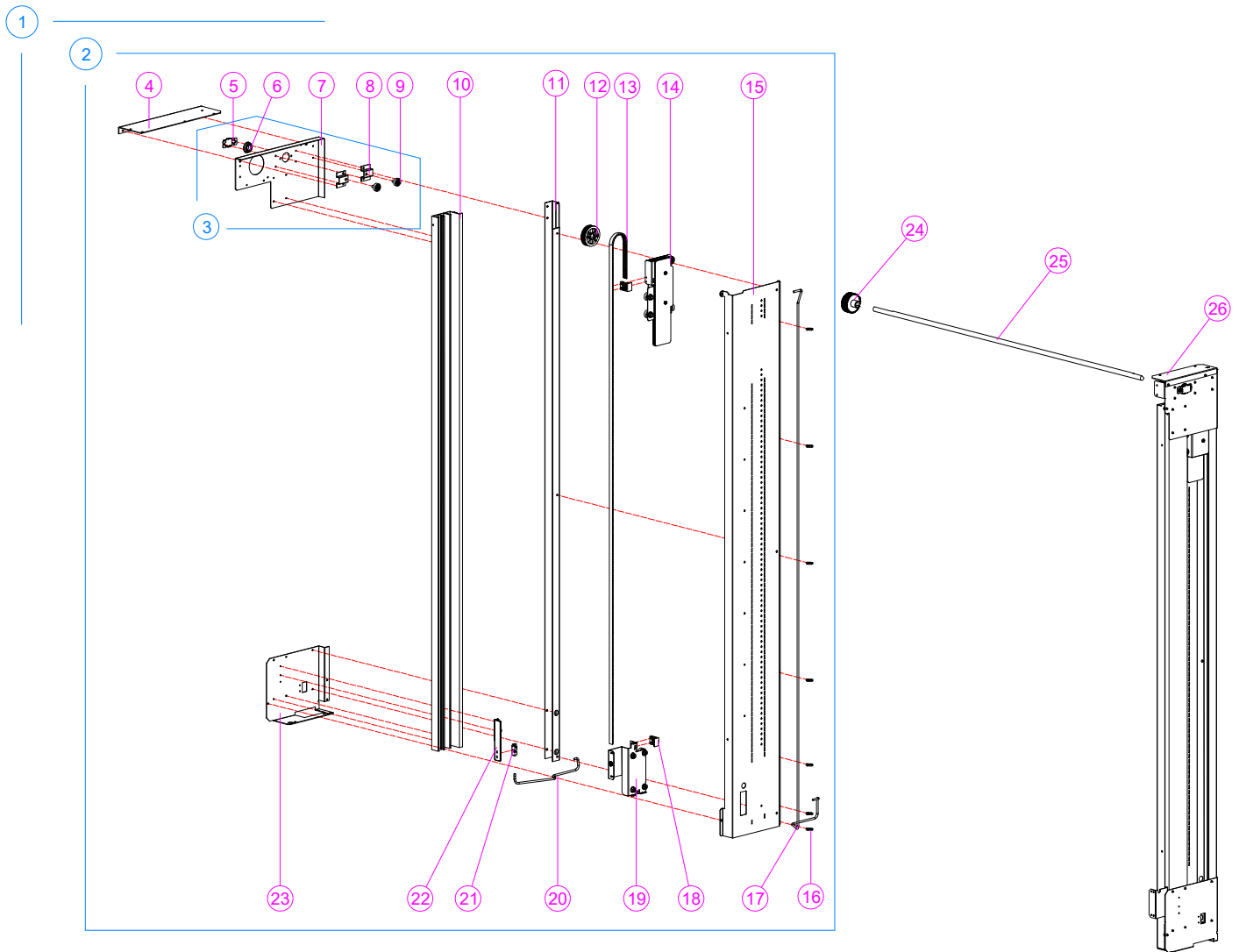
| Pos | Code | Description | Serial Number Nota |
|-----|----------|----------------|--------------------|
| 22 | 407852 | SA SPACER "A" | |
| 23 | 407853 | SB SPACER "B" | |
| 24 | 407852/2 | SPACER "A2" | |
| 25 | 408654 | SD SPACER "D" | |
| 26 | 143356 | HC SPACER "N" | |
| 27 | 143119 | HJ SPACER "M" | |
| 28 | 142961 | Li SPACER "L" | |
| 29 | 407852/1 | SPACER "A1" | |
| 30 | 407851 | SC SPACER "C" | |
| 31 | 143366 | HC SPACER "N" | |
| 32 | 143685 | HE SPACER "Q" | |
| 33 | 143690 | HG SPACER "R1" | |
| 34 | 143689 | HJ SPACER "R" | |
| 35 | 411353 | SX SPACER "C1" | |
| 36 | 142910 | HK SPACER "H" | |



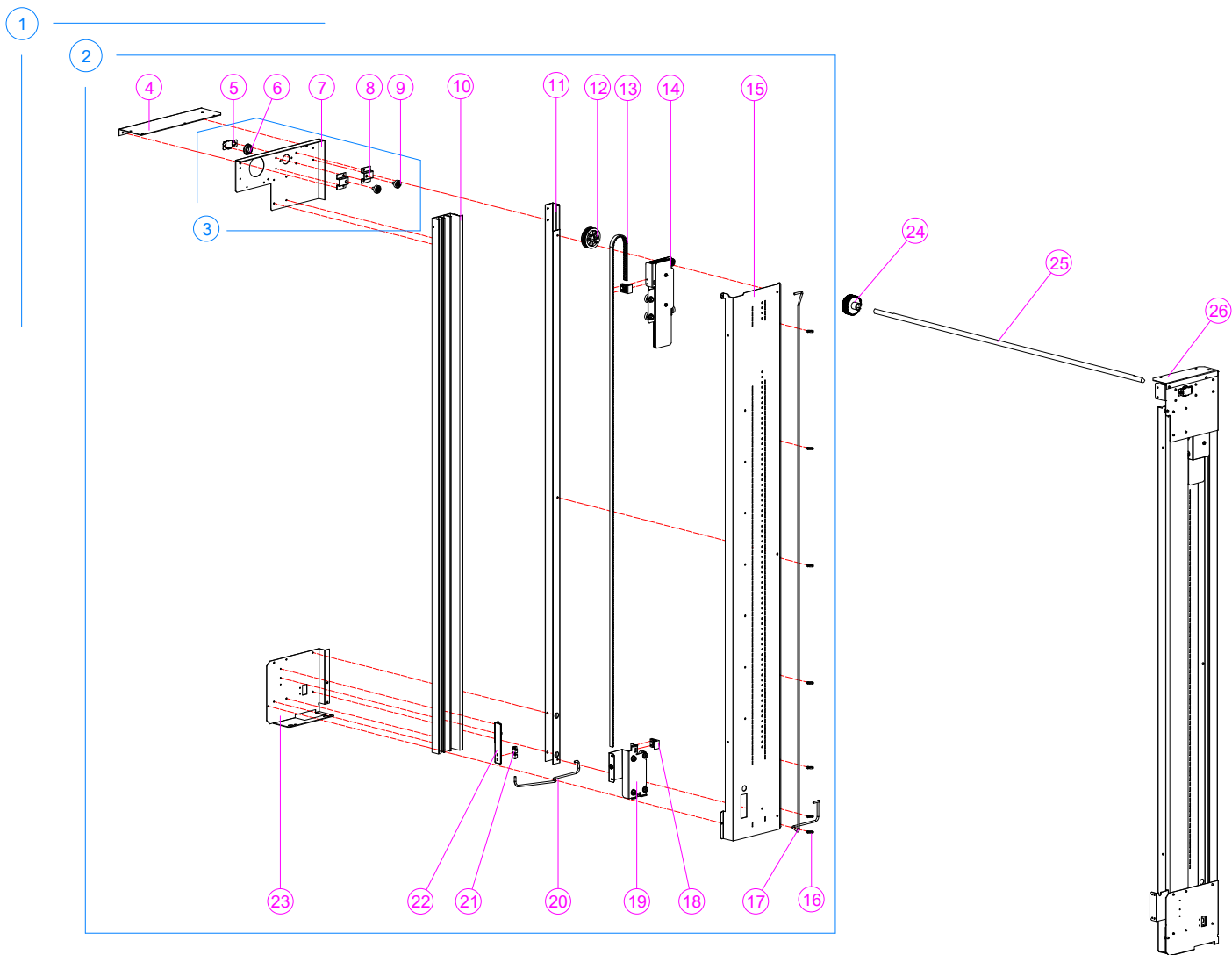
| Pos | Code | Description | Serial Number Nota |
|-----|----------|-----------------------------------|------------------------------|
| 1 | 143781 | DV9-DY9 FINAL MECHANISM ASSY | |
| 2 | 145189/1 | MOTOR ASSY Y | 3213003665 - ZZZZZZZZZZ |
| 3 | 141099/1 | FLM ASSY | |
| 4 | 412375 | SLIDE PRODUCTS | not included in the assembly |
| 5 | 141099/1 | FLM ASSY | |
| 6 | 144276 | COMPLETE VERTICAL GROUP "X9" ASSY | |
| 7 | 408539 | EXTENSION Y LH | |
| 8 | 408647 | OPTICAL SENSOR COVER | |
| 9 | 141371 | BOARD ASSY, Y | |
| 10 | 407748 | MDLSP2-06M-01 SPACER | |
| 11 | 413423 | BOARD SUPPORT | |
| 12 | 408539/1 | EXTENSION Y RH | |
| 14 | 141372 | BUCKET ASSY | |
| 15 | 407950 | Y MOTOR RETAINER | |
| 16 | 408164 | GEAR FOR MOTOR "Y" | |
| 17 | 145188/2 | DRIVE MOTOR Y GF6/9_MOLEX | 3213003665 - ZZZZZZZZZZ |
| 18 | 413422 | Y AXIS MOTOR SUPPORT | |
| 19 | 408159 | BUCKET | |
| 20 | 413983 | DELIVERY ASSISTANCE | |
| 21 | 408160 | FORK | |
| 22 | 408161 | PANEL BUCKET | |



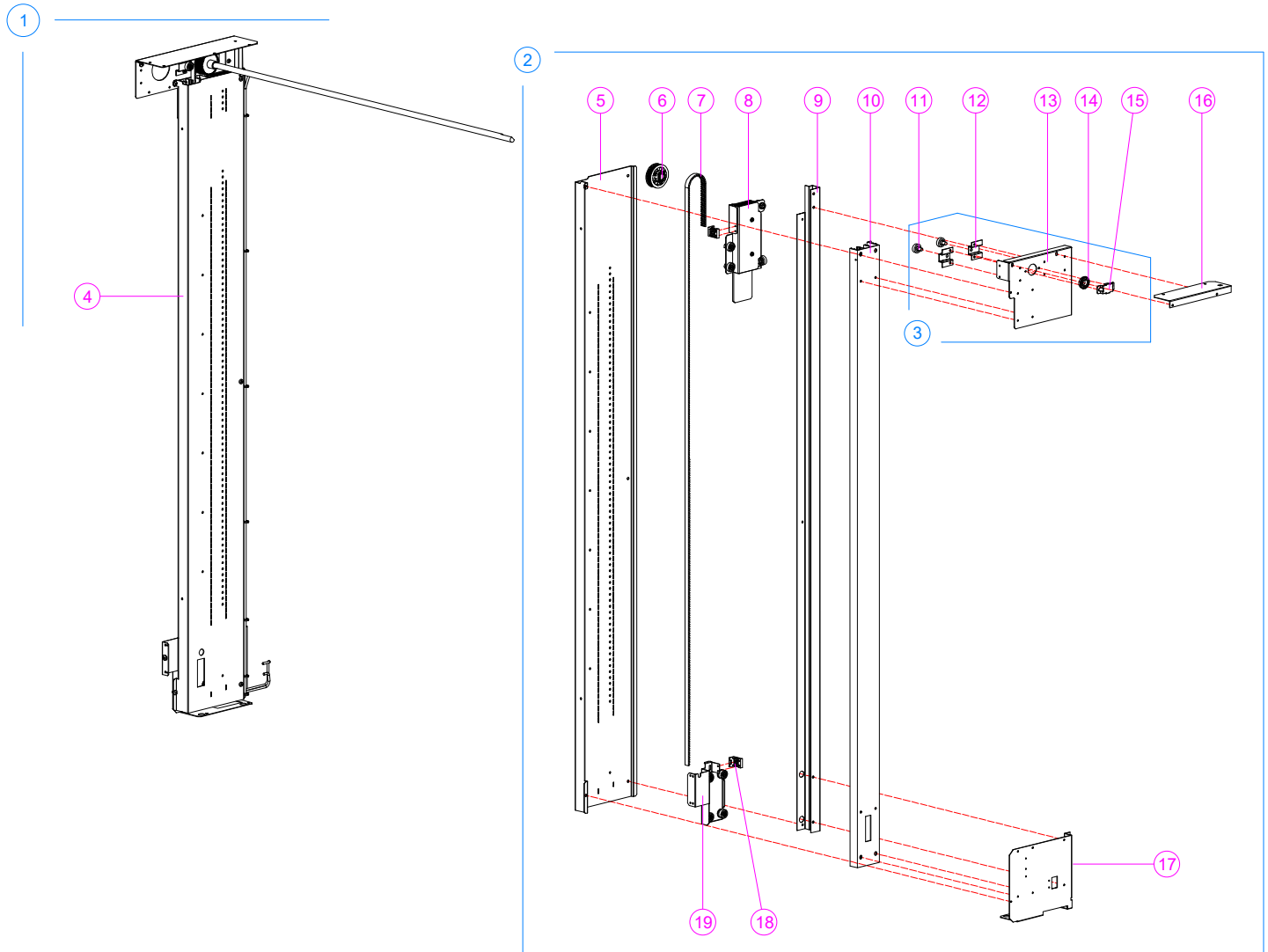
| Pos | Code | Description | Serial Number Nota |
|-----|--------|-----------------------------|--------------------|
| 23 | 141373 | BUCKET BASE WITH MOTOR ASSY | |
| 24 | 375650 | NYLON CLAMP 66 mm.130 | |



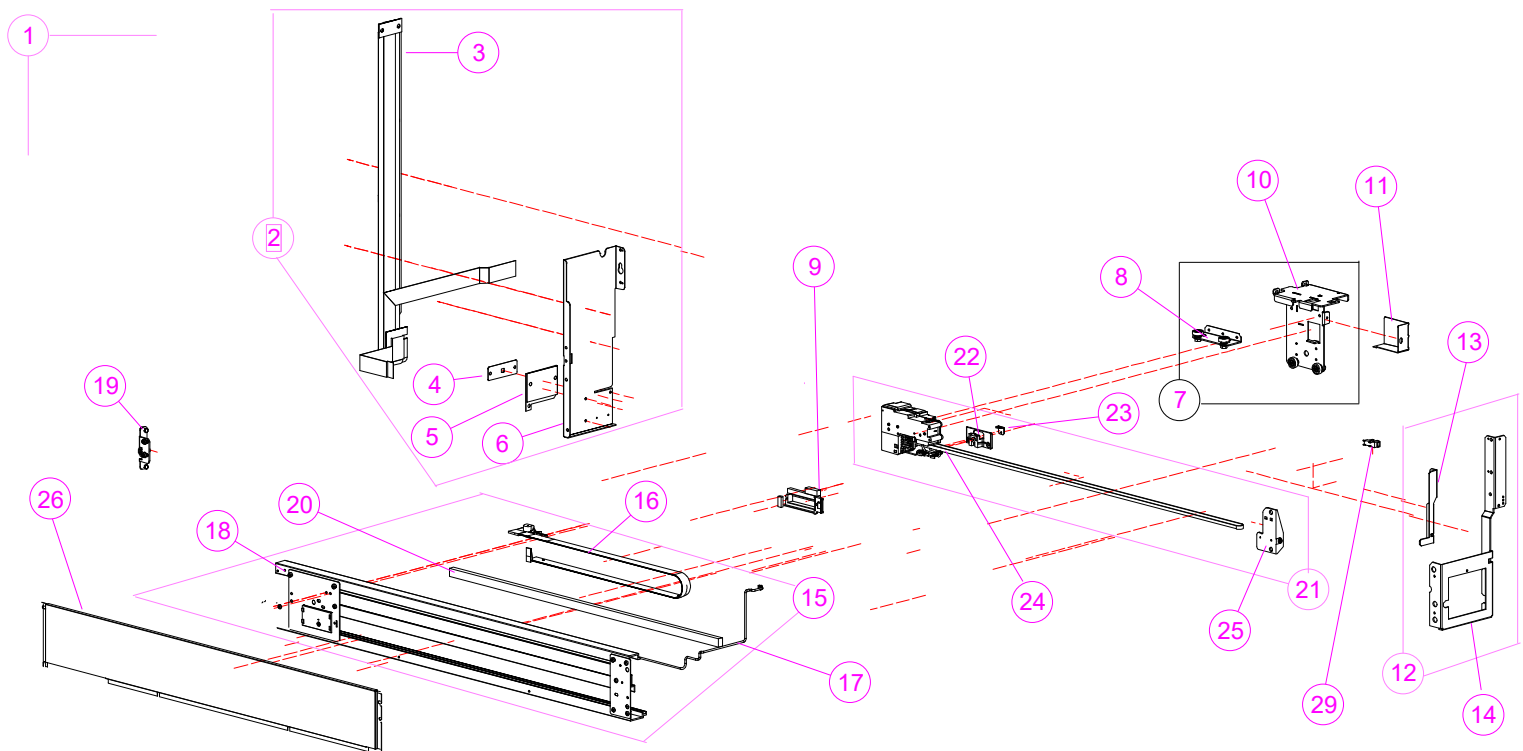
| Pos | Code | Description | Serial Number Nota |
|-----|----------|------------------------------|--------------------|
| 1 | 143619 | DV9-DY9 Y AXIS ASSEMBLY | |
| 2 | 142621 | LH "Y" UNIT ASSY | |
| 3 | 410570 | MOTOR SUPPORT Y | 0000000000 -> |
| 3 | 142619 | TOP LH GUIDE SUPPORT ASSY | ->ZZZZZZZZZZ |
| 4 | 407262 | LH Y ASSY UPPER RETAINER | |
| 5 | 413414 | BEARING SUPPORT | |
| 6 | 408170 | BALL BEARING | |
| 7 | 413418 | SH GUIDE SUPPORT RETAINER | |
| 8 | 413475 | WHEEL SUPPORT | |
| 9 | 408171 | BEARING GF | |
| 10 | 408533 | LH PROFILE L1368mm | |
| 11 | 408435/1 | LH Y ASSY VERTICAL SUPPORT | |
| 12 | 408163 | GEAR WHEEL FOR Y MOTOR | |
| 13 | 408535 | BELT | |
| 14 | 144235/1 | LH WHEIGHT CARRIAGE ASSEMBLY | |
| 15 | 408433 | LEFT Y GUIDE SUPPORT | 0 - 2713003138 |
| 15 | 410029 | LEFT Y GUIDE SUPPORT | 2713003258 - Z |
| 16 | 375650 | NYLON CLAMP 66 mm.130 | |
| 17 | 141368 | HARNESS, Y MOTOR B | |
| 17 | 146572 | HARNESS Y MOTOR B_MLX | |
| 18 | 413469 | BELT STOP | |



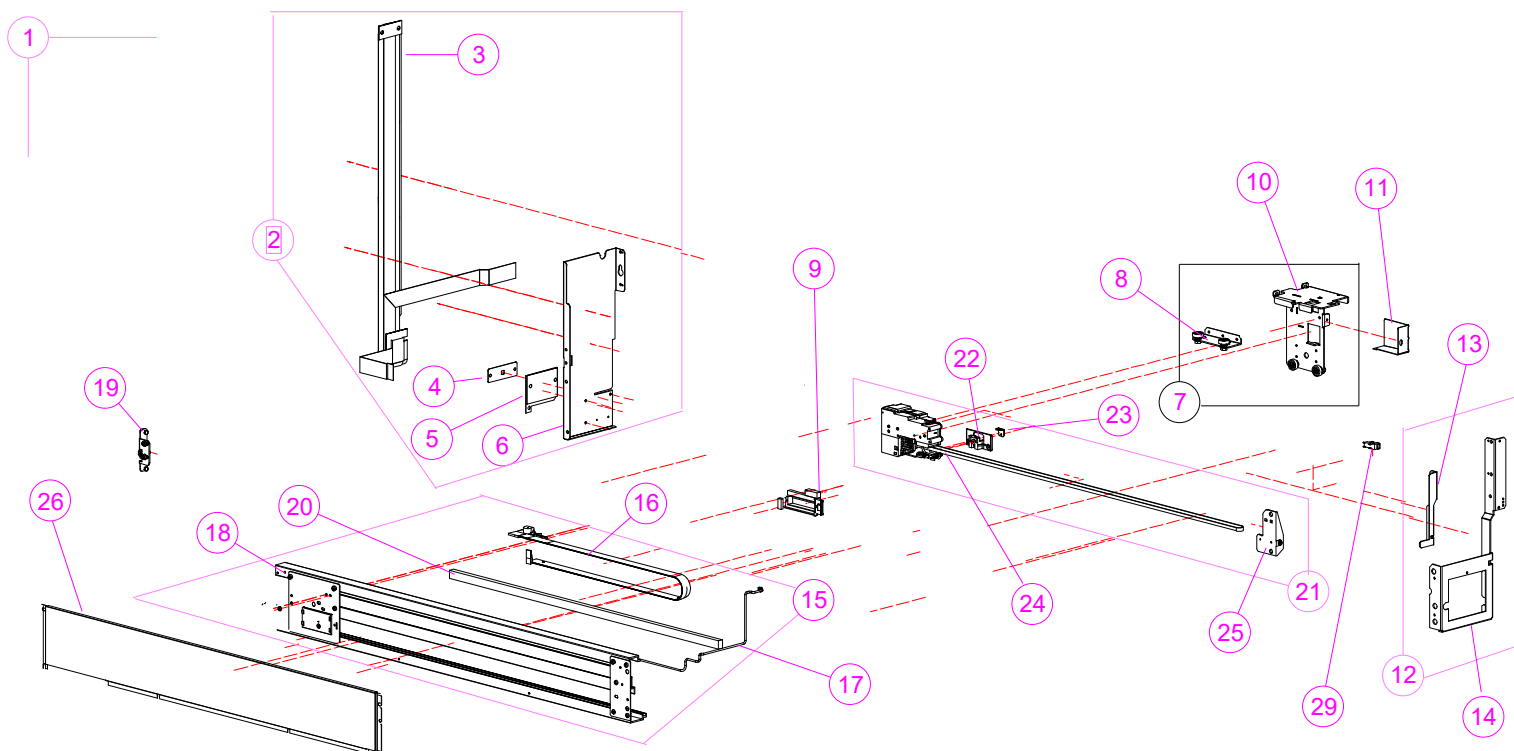
| Pos | Code | Description | Serial Number Nota |
|-----|--------|----------------------------|--------------------|
| 19 | 144253 | LH X AXIS SUPPORT ASSEMBLY | |
| 20 | 145355 | HARNESS Y ORIGIN | |
| 20 | 141367 | HARNESS Y ORIGIN | |
| 21 | 413466 | MICRO SWITCH | |
| 22 | 407721 | SWITCH SUPPORT | |
| 23 | 408432 | LH Y GUIDE BASE | |
| 24 | 408162 | DENTED GEAR FOR Y MOTOR | |
| 25 | 408172 | SHAFT Y AXIS (9F) | |



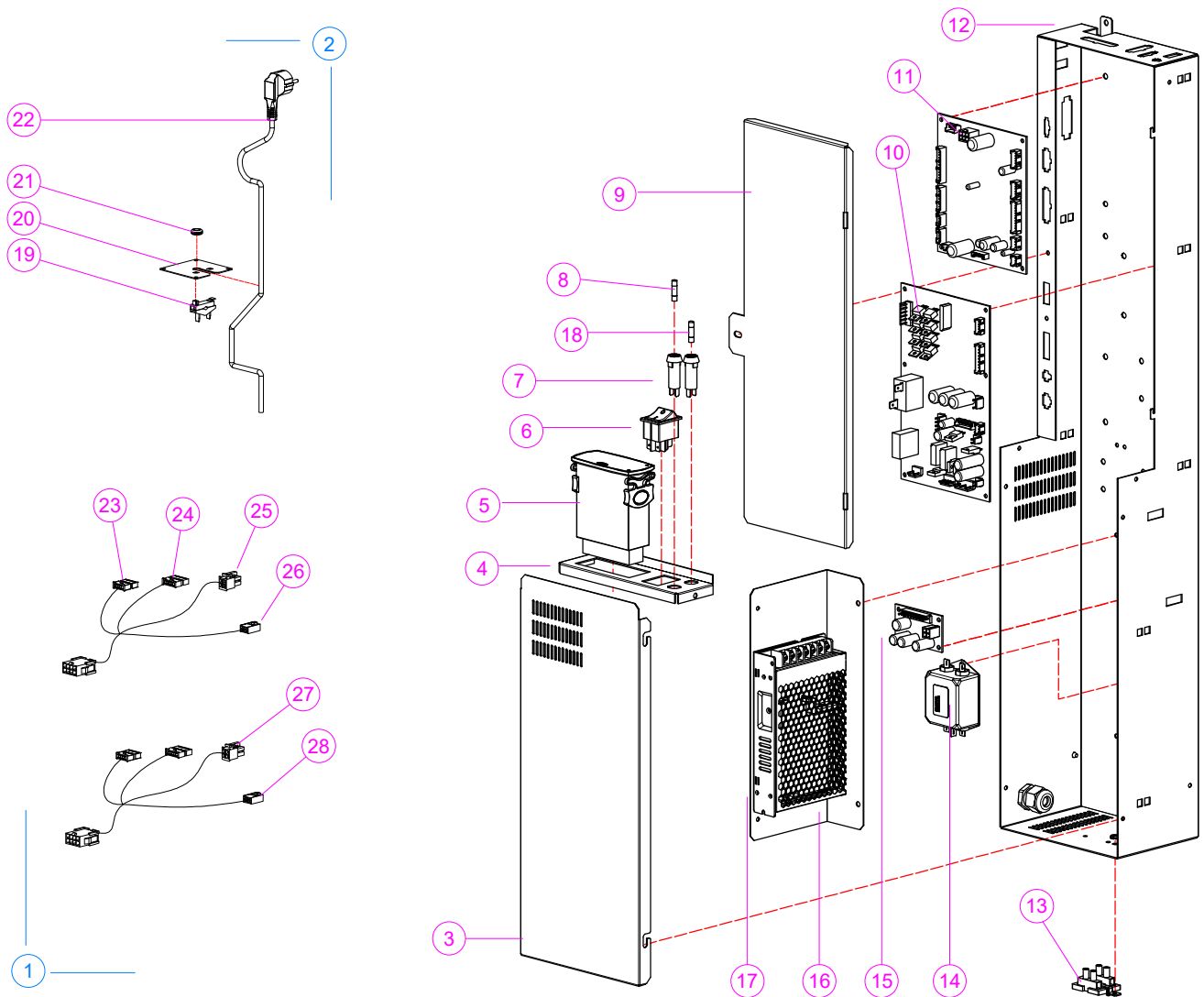
| Pos | Code | Description | Serial Number Nota |
|-----|----------|------------------------------|--|
| 1 | 143619 | DV9-DY9 Y AXIS ASSEMBLY | |
| 2 | 142620 | RH "Y" UNIT ASSY | |
| 3 | 142618 | TOP RH GUIDE SUPPORT ASSY | ->ZZZZZZZZZ |
| 3 | 409837 | RH MOTOR SUPPORT | 0000000000 -> |
| 4 | 143619 | DV9-DY9 Y AXIS ASSEMBLY | |
| 5 | 408434 | RIGHT Y GUIDE SUPPORT | 0 - 2713003138 |
| 5 | 410028 | RIGHT Y GUIDE SUPPORT | 2713003258 - Z |
| 6 | 408163 | GEAR WHEEL FOR Y MOTOR | |
| 7 | 408535 | BELT | |
| 8 | 144235 | RH WHEIGHT CARRIAGE ASSEMBLY | |
| 9 | 408435 | RH Y ASSY VERTICAL SUPPORT | |
| 10 | 408534 | RH PROFILE L1368mm | |
| 11 | 408171 | BEARING GF | |
| 12 | 413475 | WHEEL SUPPORT | |
| 13 | 413411 | RH GUIDE SUPPORT RETAINER | |
| 14 | 408170 | BALL BEARING | |
| 15 | 413414 | BEARING SUPPORT | |
| 16 | 407258 | RH Y ASSY UPPER RETAINER | |
| 17 | 408432/1 | RH Y GUIDE BASE | |
| 18 | 413469 | BELT STOP | Includedn in the P/N 144235 and P/N 144253/1 |
| 19 | 144253/1 | RH X ASIS SUPPORT ASSEMBLY | |



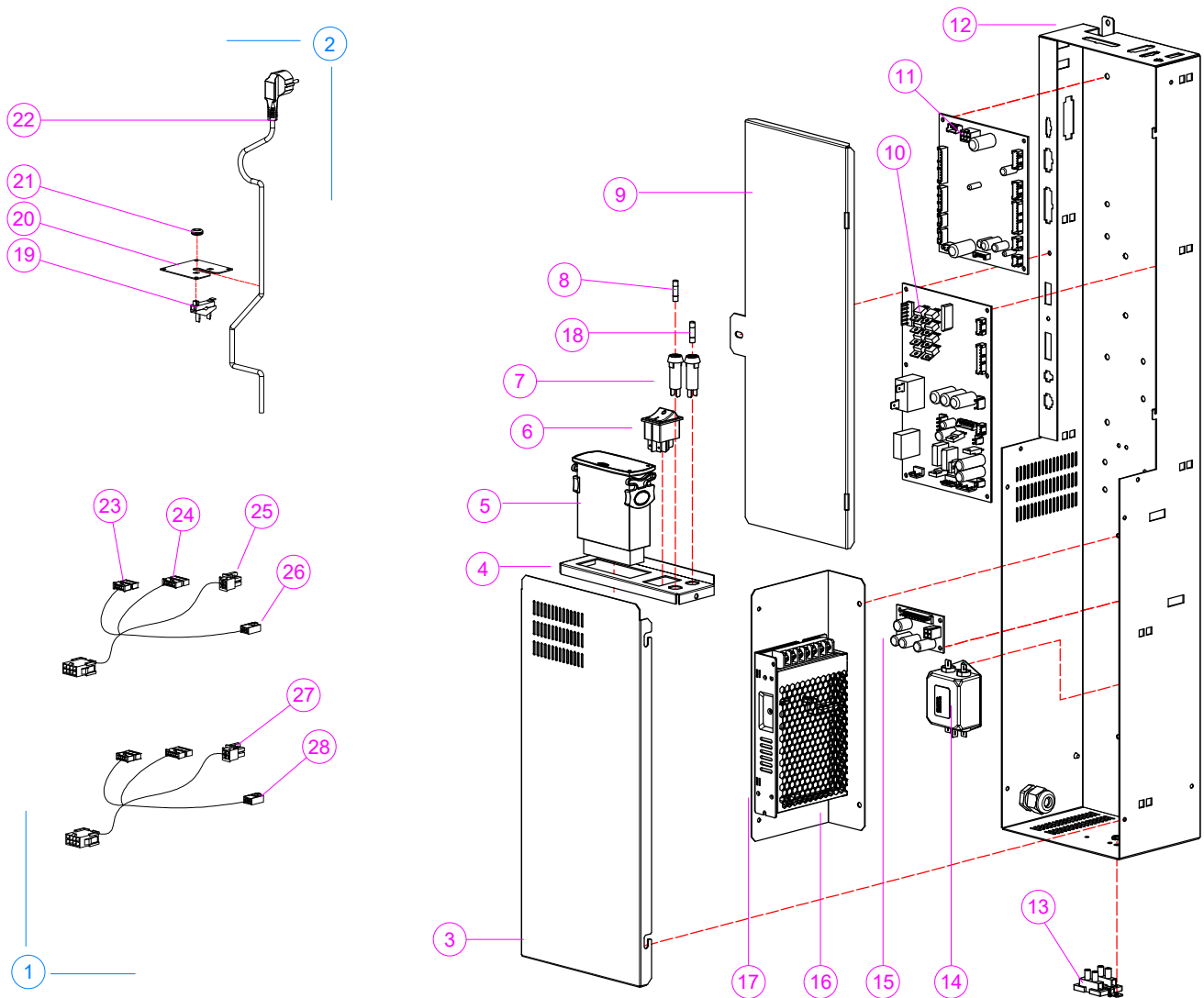
| Pos | Code | Description | Serial Number Nota |
|-----|----------|------------------------------------|--------------------|
| 1 | 144276 | COMPLETE VERTICAL GROUP "X9" ASSY | |
| 2 | 145316 | MECH.SIDE LH ASSY G-DRINK | |
| 3 | 144407 | FLAT CABLE ASSY, Y AXIS VERTICAL | |
| 4 | 410308 | HARNESS RETAINER | |
| 5 | 415512 | SIDE MECHANISMO HARNESS COVER | |
| 6 | 412357 | LEFT SIDE X AXIS | |
| 7 | 145317 | BUCKET SUPPORTO ASSY | |
| 8 | 141889 | WHEELS SUPPORT ASSY | |
| 10 | 141890 | BUCKET SUPPORT ASSY | |
| 11 | 412867 | BOARD PROTECTION | |
| 12 | 144380 | X AXIS RH SIDE WELD ASSY | |
| 13 | 412767 | REINFORCEMENT RIGHT SIDE X AXIS | |
| 14 | 412489 | RIGHT SIDE X AXIS | |
| 15 | 145320 | 9 SELECTION CENTRAL MECH.ASSY | |
| 16 | 141364 | FLAT CABLE ASSY, X AXIS (9F) | |
| 17 | 145354 | HARNESS SHELF S.9 | |
| 18 | 145318 | 9 SELECTION MECH.GUIDE ASSY | |
| 19 | 141671 | WHEEL AXLE X ASSEMBLY | |
| 20 | 386479/5 | GASKET EUROSICK 15X10 | |
| 21 | 145313 | 9 SELECTION X MECHANISM MOTOR ASSY | |
| 22 | 412717 | TOOTHED JOINT OF X BELT | |



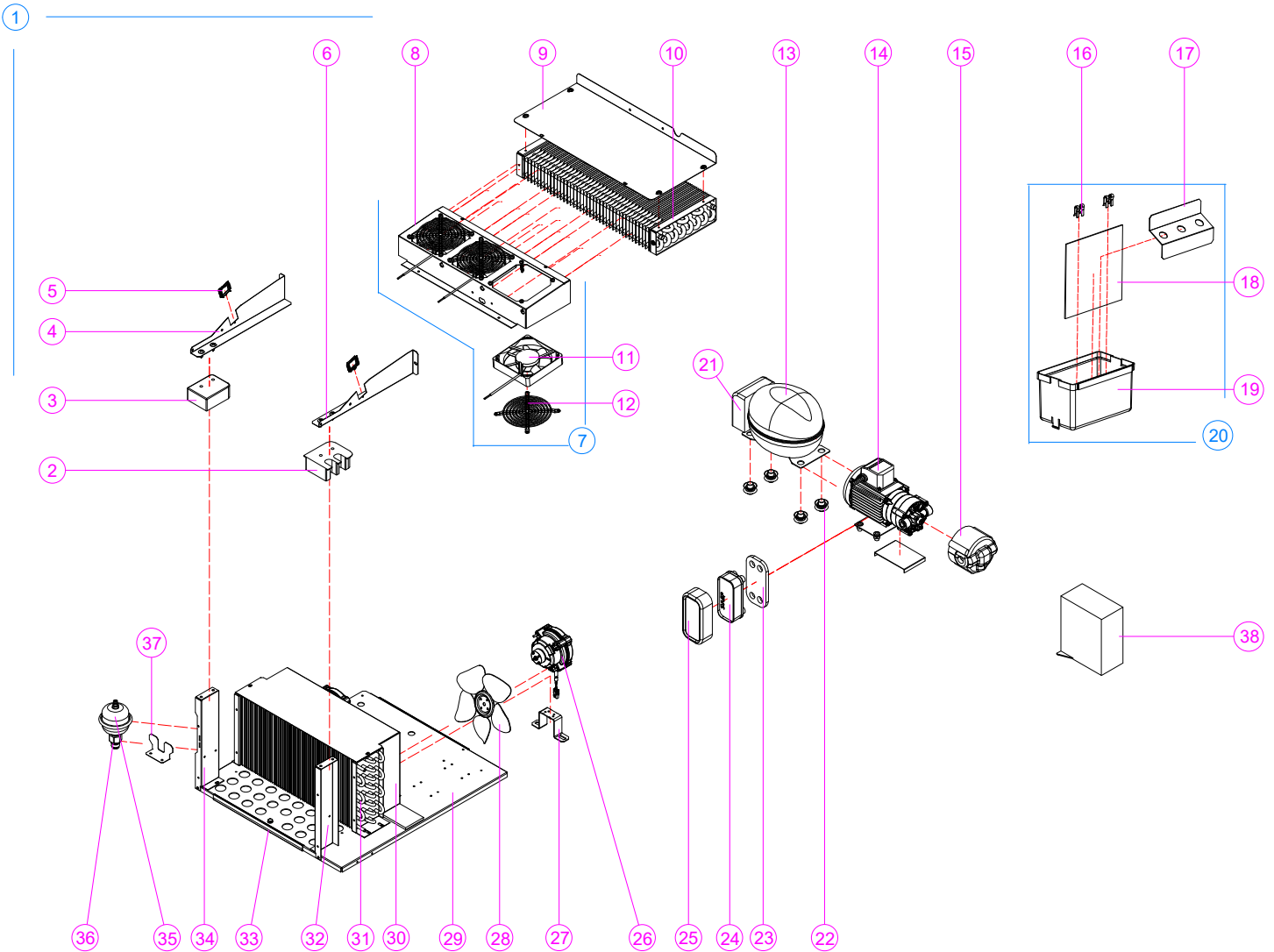
| Pos | Code | Description | Serial Number Nota |
|-----|--------|-------------------------------|--------------------|
| 23 | 412730 | BELT BRACKET | |
| 24 | 145311 | 9 SELECTION X MECHANISM MOTOR | |
| 25 | 145312 | IDLER ASSY | |
| 26 | 412865 | X AXIS FRONT COVER | |
| 29 | 408169 | SENSORE "Y" | |
| 9 | 413489 | X BOARD COVER | |



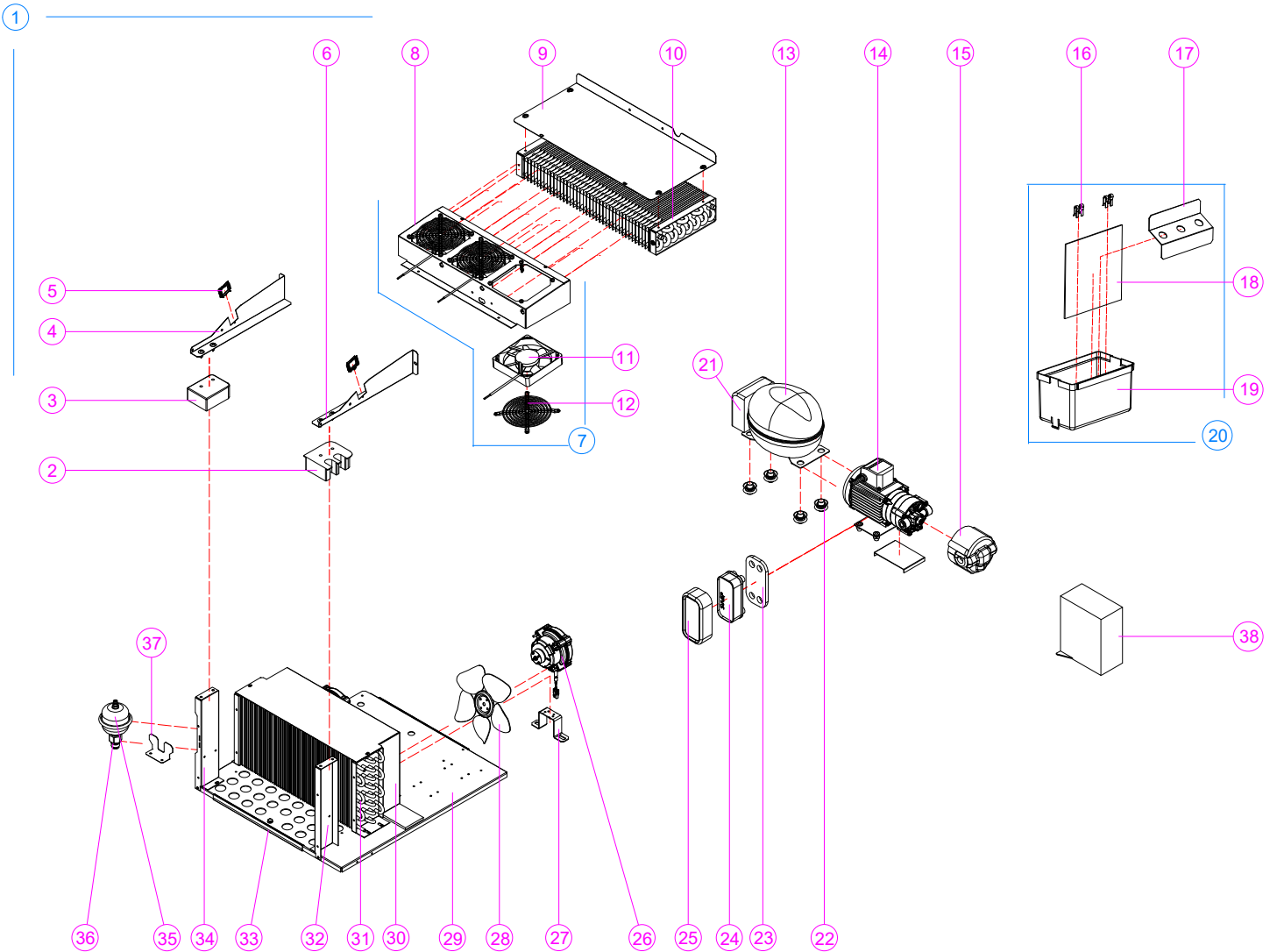
| Pos | Code | Description | Serial Number Nota |
|-----|----------|---------------------------------------|--------------------|
| 1 | 146300 | POWER BOX ASS.DM9-H2 WITHOUT SER.CORD | |
| 2 | 146211 | EU SERVICE CORD STD | |
| 2 | 146211/1 | UK SERVICE CORD UK | |
| 2 | 146211/2 | SW SERVICE CORD SELECTA | |
| 2 | 146211/3 | RS SERVICE CORD UK IEC320 (MARS) | |
| 2 | 146211/4 | AC SERVICE CORD AUSTRALIA | |
| 2 | 146211/5 | | |
| 2 | 146211/6 | | |
| 2 | 146211/7 | | |
| 3 | 412153 | POWER SWITCH COVER | |
| 4 | 412154/2 | FUSE AND PUSH-BUTTON SUPPORT | |
| 5 | 146772 | ELECTRONIC CONTROLLER CAREL JI | |
| 6 | 392627 | LIGHT SWITCH | |
| 7 | 395158 | FUSE CARRIER | |
| 8 | 386916/6 | FUSE 5 X 20 3A | |
| 9 | 412151 | BOARD COVER | |
| 10 | 407731/1 | RELAYS BOARD SRB-1JGF01A-JC | |
| 11 | 407732/1 | SLAVE CONTROLLER SVC-1JGF63ACH | |
| 12 | 411967 | BOX TRANSFORMER | |
| 13 | 391032 | TERMINAL BOARD | |
| 14 | 408912 | FILTER SCHAFFNER FN2060-6-06 | |



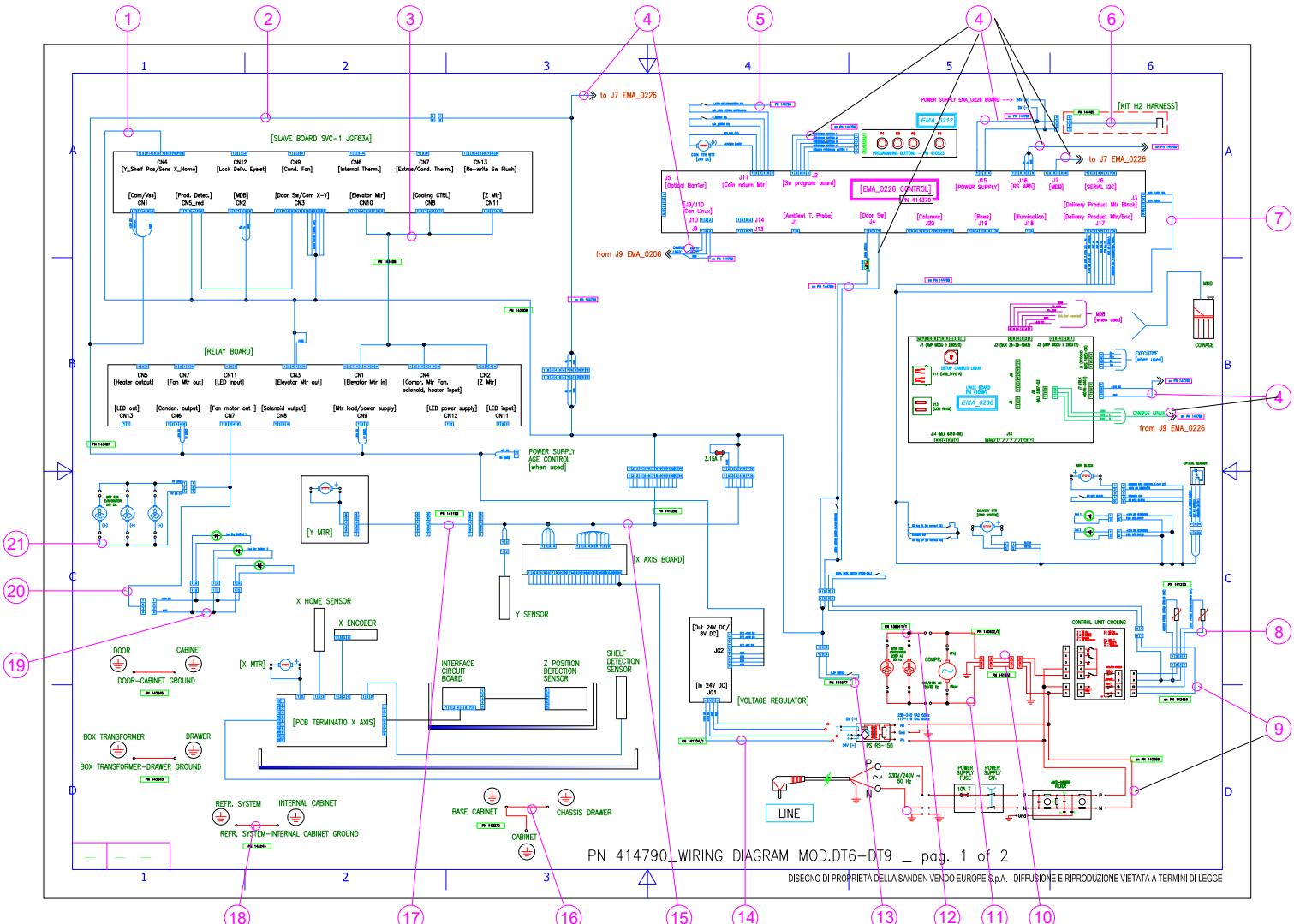
| Pos | Code | Description | Serial Number Nota |
|-----|-----------|---|--------------------|
| 15 | 408724 | CONTROLLER VOLTAGE BOARD | |
| 16 | 412380/1 | POWER SWITCHING SUPPORT | |
| 17 | 413925 | POWER SWITCHING LRS-150-24DIVM | |
| 18 | 386916/8 | FUSE 5 X 20 10A | |
| 19 | 408201 | CABLE GRAND | |
| 20 | 408146 | SERVICE CORD PLATE | |
| 21 | 408200 | THREAD RING GUIDE | |
| 22 | 520044/16 | SERVICE CORD WITH 146211 | |
| 22 | 392711/1 | SERVICE CORD "UK" WITH 146211/1 | |
| 22 | 130471/4 | SELECTA SERVICE CORD ASSY WITH 146211/2 | |
| 22 | 405548 | MARS SERVICE CORD ASSEMBLY WITH 146211/3 | |
| 22 | 408735/1 | SERVICE CORD AUSTRALIA WITH 146211/4 | |
| 22 | 415364/2 | RCD POWER CORD 230V 16A 30mA C/L 415364 WITH 146211/5 | |
| 22 | 408253/1 | ISRAEL POWER CABLE TYPE H WITH 146211/6 | |
| 22 | 417857 | POWER HARNESS SOUTH AFRICA TYPE M WITH 146211/7 | |
| 23 | 143407 | +8V/+24V ALIMENTATION HARNESS | |
| 24 | 143631 | LED / EVAPORATOR FAN MOTOR ALIMENTATION HARNESS | |
| 25 | 143409 | SIGNAL / CABINET ALIMENTATION HARNESS | |
| 26 | 141704/1 | HARNESS RS-150-24/REG.TENS. | |
| 27 | 146500 | BOX /CON.UNIT_IJ HARNESS_DV6-DV9_2° gen | |
| 28 | 143406 | SLAVE / RELAY BOARD HARNESS | |



| Pos | Code | Description | Serial Number Nota |
|-----|----------|---|--------------------|
| 1 | 146186 | INST.REFR.SYST.DV9-HC2 ASSEMBLY | |
| 2 | 405214/3 | RUBBER BUFFER | |
| 3 | 405214/2 | PLASTIC RING | |
| 4 | 408015/1 | EVAPORATOR SUPPORT LH | |
| 5 | 408977 | CABLE CLAMP LEWSE-27-01 RICHCO | |
| 6 | 408015 | EVAPORATOR SUPPORT RH | |
| 7 | 141353/1 | SILENT KIT MOTOR EVAPORATOR | |
| 8 | 408138 | MOTORFAN SUPPORT | |
| 9 | 407080 | AIR CONVEYOR | |
| 10 | 403926/1 | EVAPORATOR G-DRINK | |
| 11 | 407972/1 | MOTORFAN SANYO 9G1224H402 0,17 A | |
| 12 | 405734/1 | FAN MOTORS GRID | |
| 13 | 416874 | COMPRESSOR EMBRACO VESA7U R290 SDI-51390736501AE | |
| 14 | 414308/1 | PUMP POMP000248 | |
| 15 | 414604 | PUMP INSULATOR IPM | |
| 16 | 400365 | ASSORBENT CLIP 10MB 08BEBZING | |
| 17 | 411163 | ASSORBENT STRAP | |
| 18 | 396817 | ASSORBENT SPONGE | |
| 19 | 411109 | CONDENSER BOX | |
| 20 | 138766/1 | ASSORBENT ASSY | |
| 21 | 417319 | INVERTER COMPRESSOR EMBRACO VESA7U R290 SDI-51390736501AE | |



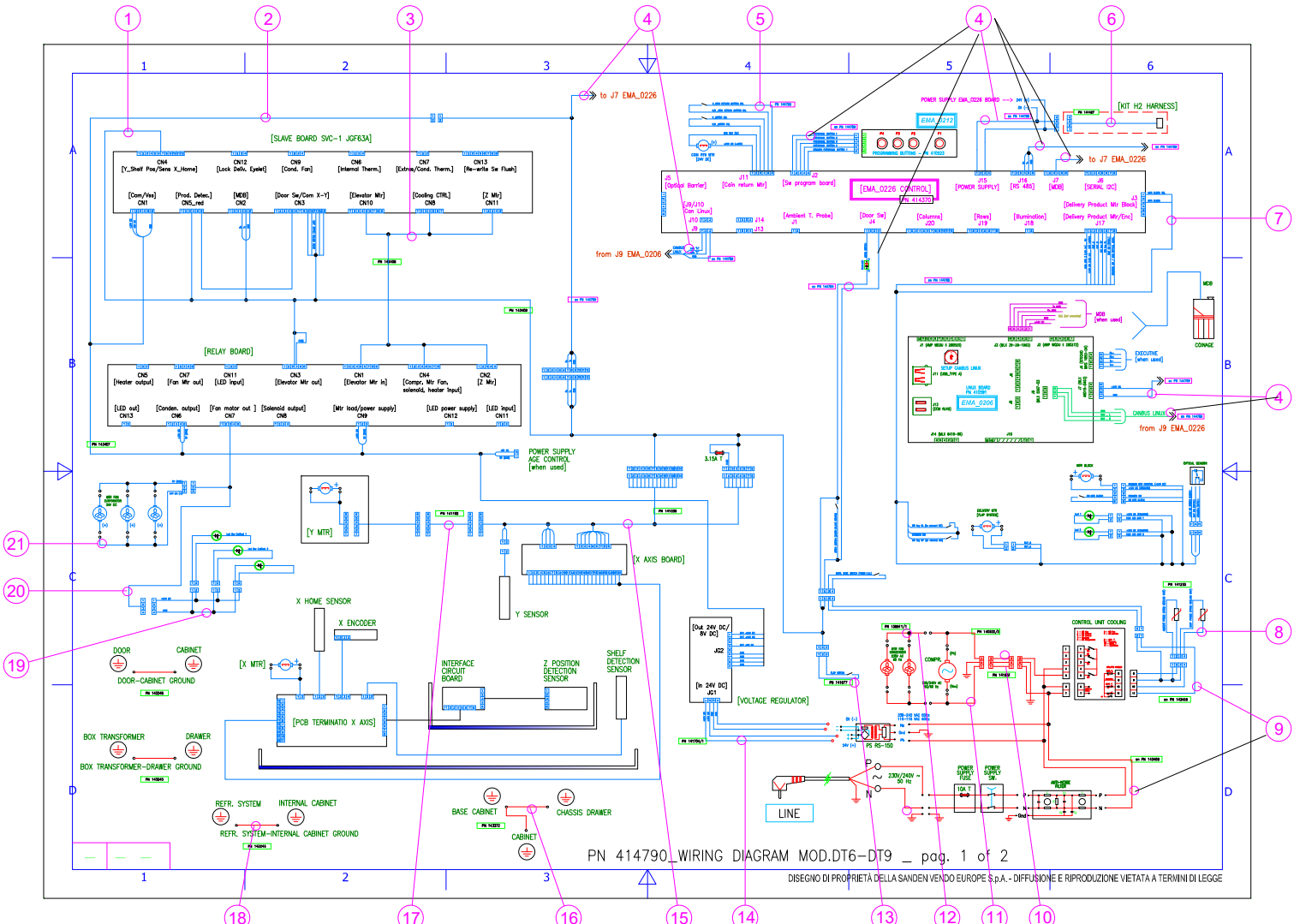
| Pos | Code | Description | Serial Number Nota |
|-----|-----------|---|--------------------|
| 22 | 393885 | COMPRESSOR BUFFER | |
| 23 | 414606 | PLATES EVAP.INSULATOR COVER | |
| 24 | 414330 | PLATE EXCHANGER 0253598.0 | |
| 25 | 414605 | PLATES EVAPORATOR INSULATOR | |
| 26 | 416886 | MOTORFAN OLMO ATEX ECO72 H12A 1850rpm COD.ERB2012AC0192 | |
| 27 | 416888 | BRACKET MOTOR FAN SUPPORT H52 | |
| 28 | 416890 | FAN BLADE Ø172X28° ALUM. | |
| 29 | 417067 | REFR.SYST.BASE HYDROCARBON HC2 | |
| 30 | 416719 | CONDENSER AIR CONVEYOR | |
| 31 | 416645 | CONDENSER G-DRINK-R290 | |
| 32 | 413805 | REFR.SYSTEM VERT.SUPPORT RH | |
| 33 | 386430/20 | U PROFILE WHITE MM.300 | |
| 34 | 414610 | REFR.SYST.VERTICAL SUPP.LH DV | |
| 35 | 417030 | VASO ESPANS.NORDINOX ACX0,16B | |
| 36 | 417051 | TERMINAL 8x1/2 JG FLUIDFIT HCF 08G04B | |
| 37 | 414603 | EXPANSION POT SUPPORT | |
| 38 | 146784 | INVERTER CONTROLLER DRINK | |



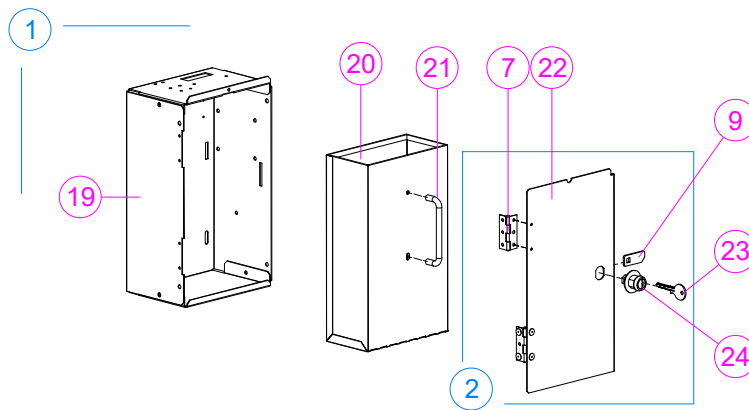
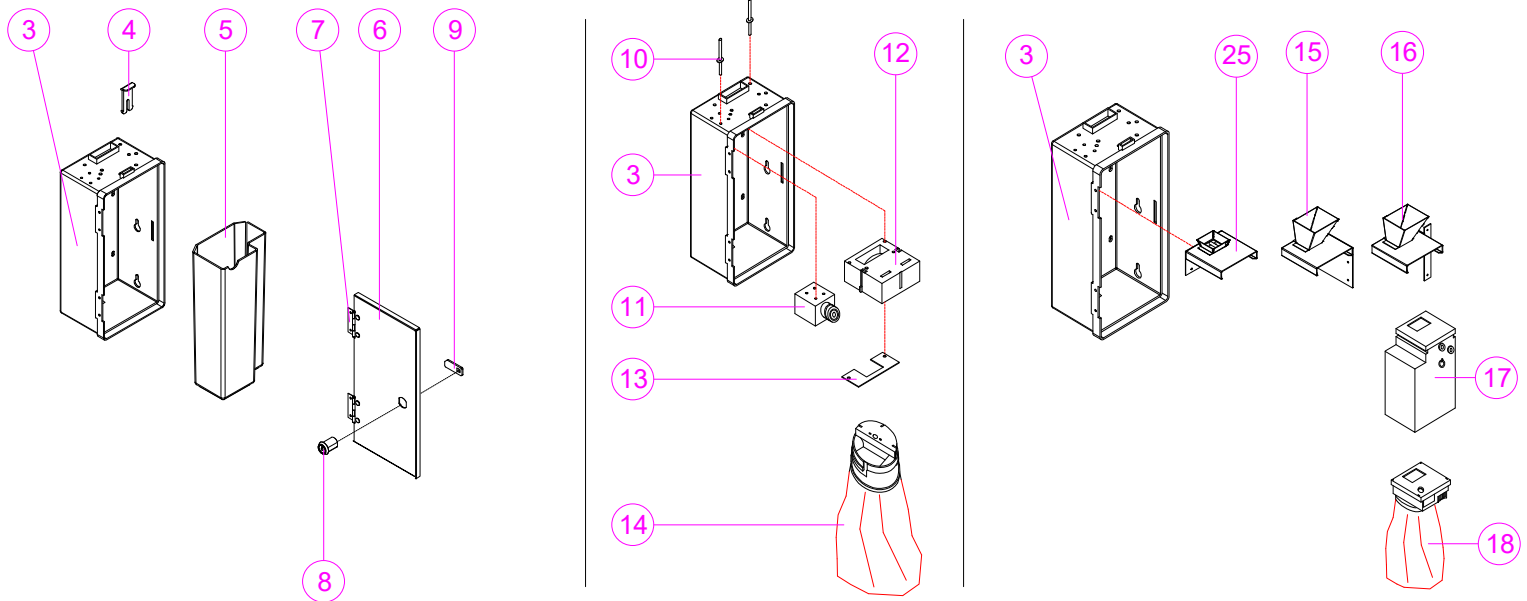
PN 414790_WIRING DIAGRAM MOD.DT6-DT9 _ pag. 1 of 2

DISEGNO DI PROPRIETÀ DELLA SANDEN VENDO EUROPE S.p.A. - DIFFUSIONE E RIPRODUZIONE VIETATA A TERMINI DI LEGGE

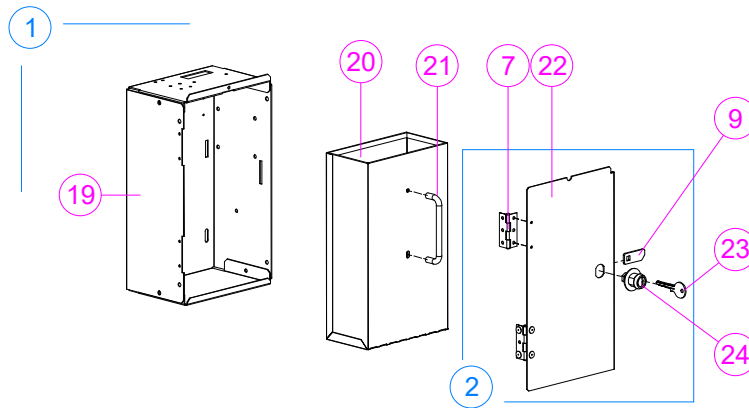
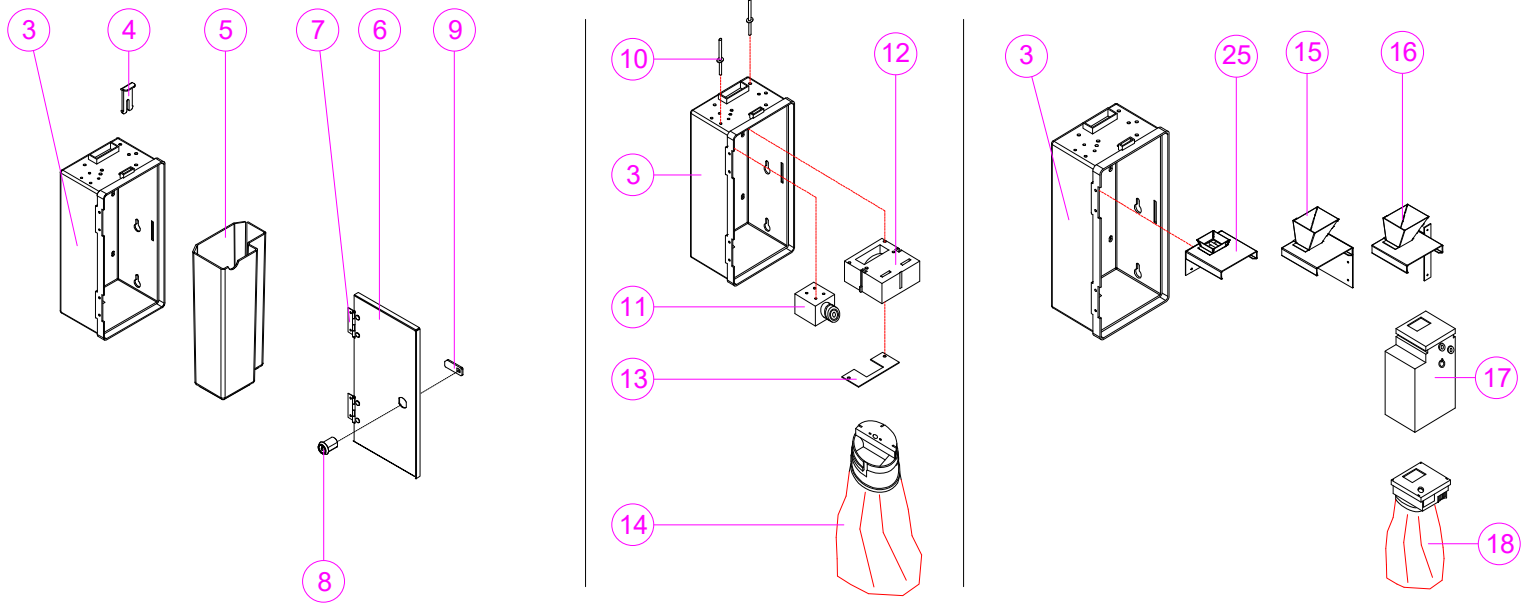
| Pos | Code | Description | Serial Number Nota |
|-----|----------|---|--------------------|
| 1 | 143409 | SIGNAL / CABINET ALIMENTATION HARNESS | |
| 2 | 143407 | +8V/+24V ALIMENTATION HARNESS | |
| 3 | 143406 | SLAVE / RELAY BOARD HARNESS | |
| 4 | 144789 | POWER SUPPLY / EMA_0226 HARNESS | |
| 5 | 144790 | COIN RETURNO MOTOR EMA0226 HARNESS | |
| 6 | 141427 | HARNESS SUPPLY/EXECUTIVE COINAGE | |
| 7 | 144788 | FLAP EMA_0226 HARNESS | |
| 8 | 141250 | PROBES HARNESS | |
| 9 | 143459 | TRANSFORMER BOX / CONTROL UNIT HARNESS | |
| 10 | 141651 | COMPRESSOR EXTENSION SOCKET HARNESS | |
| 11 | 140522 | COMPRESSOR HARNESS | |
| 12 | 139911 | FAN MOTORS - CONDENSER HARNESS | |
| 12 | 139911/3 | MOTORFAN CONDENSER HARNESS 60Hz | |
| 13 | 141077 | FLAP DOOR MICRO-SWITCH HARNESS | |
| 14 | 141704/1 | HARNESS RS-150-24/REG.TENS. | |
| 15 | 141036 | DRAWER - CABINET HARNESS | |
| 16 | 143372 | GROUND WIRE (DOUBLE) | |
| 17 | 141192 | MINIF./SUMIKO INTERFACE HARNESS | |
| 18 | 143245 | GROUND WIRE | |
| 19 | 141120 | BOX TRANSFORMER / LED HARNESS | |
| 20 | 143631 | LED / EVAPORATOR FAN MOTOR ALIMENTATION HARNESS | |



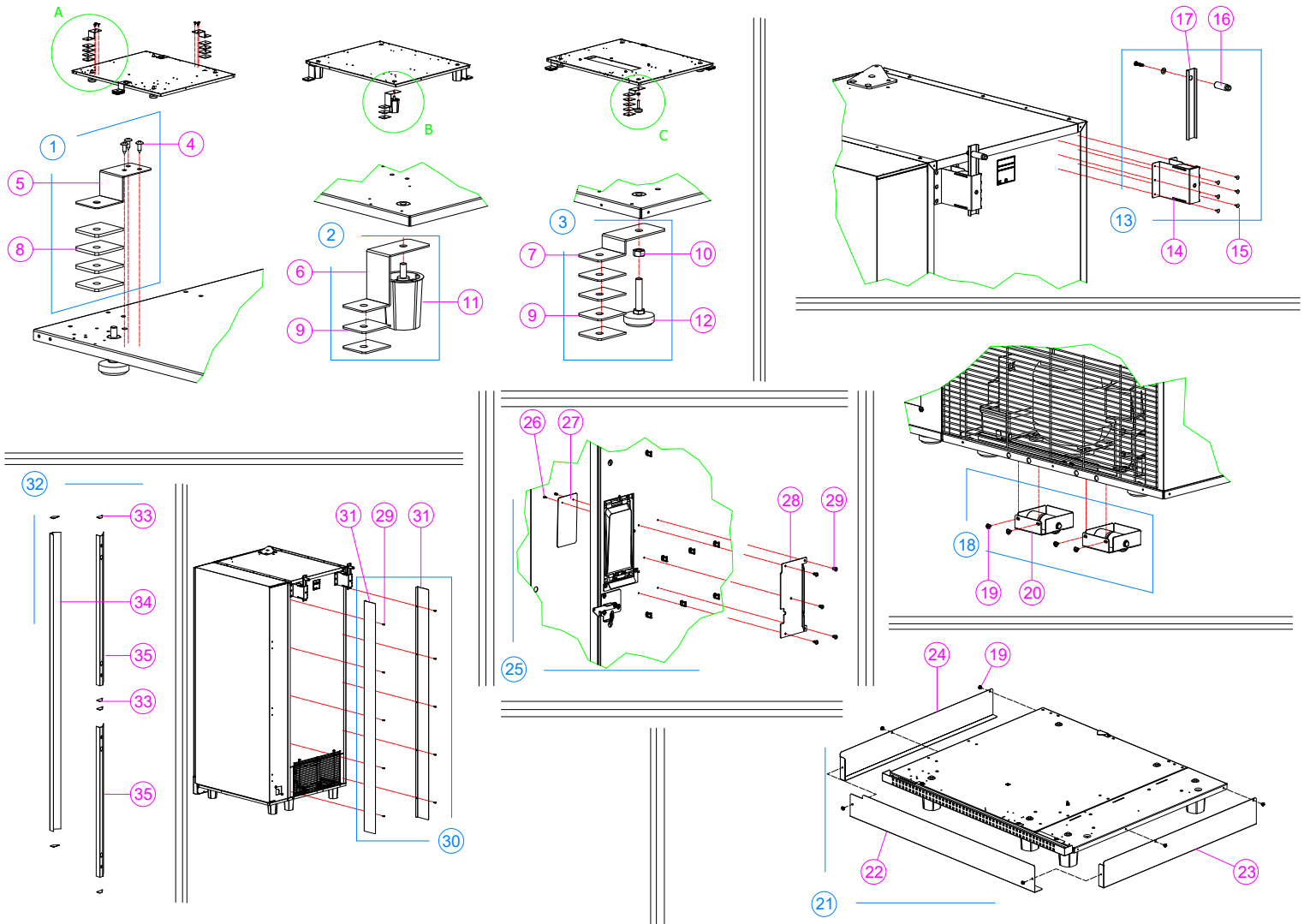
| Pos | Code | Description | Serial Number Nota |
|-----|--------|---------------------------------|--------------------|
| 21 | 141236 | EVAPORATOR / FAN MOTORS HARNESS | |



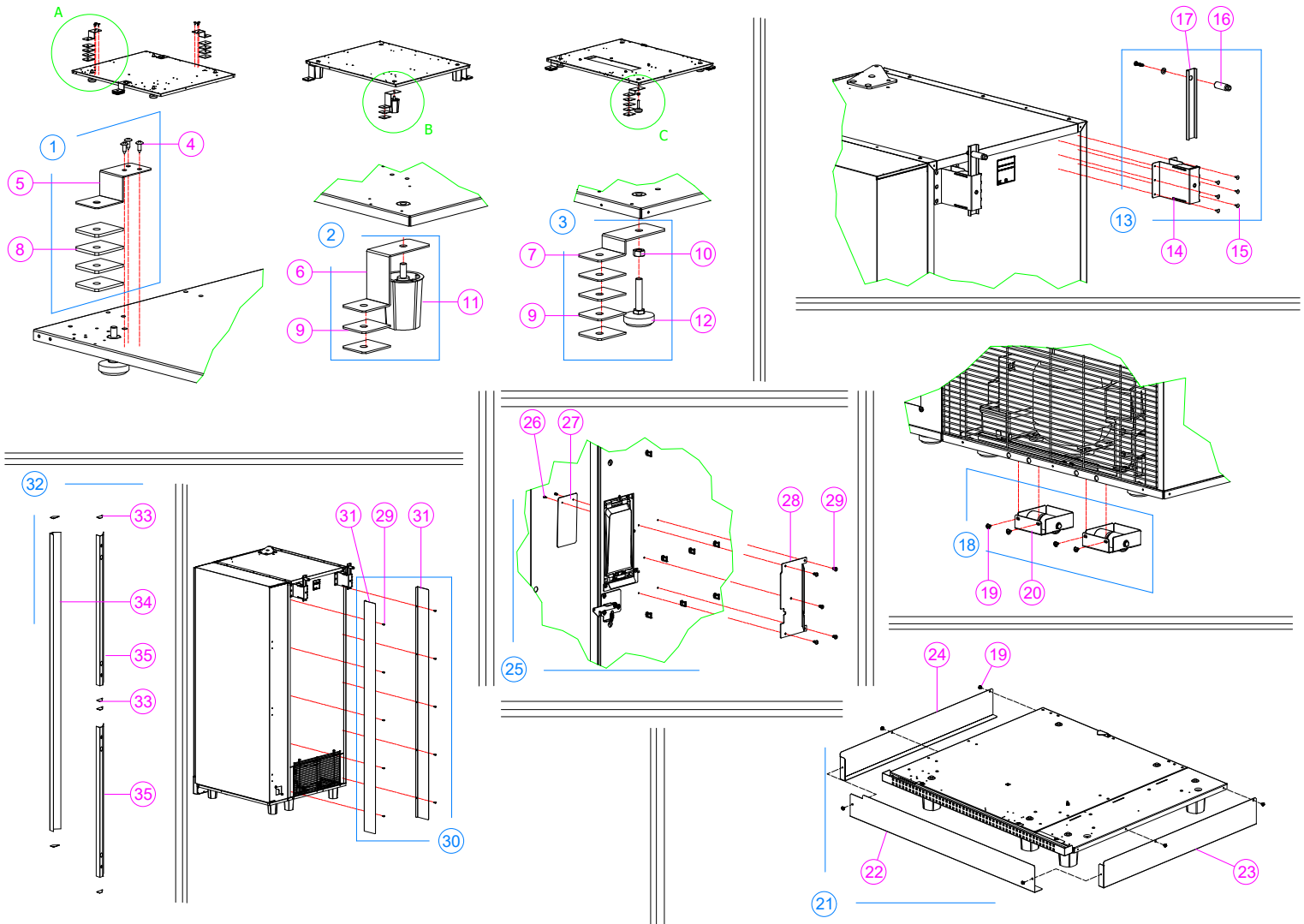
| Pos | Code | Description | Serial Number Nota |
|-----|-----------|---|------------------------------------|
| 1 | 142674 | MB BIG COIN BOX RIELDA LOCK | |
| 2 | 142147 | DOOR FOR BIG COIN BOX ASSEMBLY WITH RIELDA LOCK | Included in the p/n 138545/5 |
| 3 | 400771 | PLASTIC BOX HOUSING | |
| 4 | 400773 | KEY | |
| 5 | 400772 | COIN BOX | |
| 6 | 401075 | FLAP DOOR | |
| 7 | 395336 | HINGE | |
| 8 | 123785... | LOCK WITH KEYS | |
| 9 | 391404 | LOCK LEVER | |
| 10 | 333097/2 | POP RIVET | |
| 11 | 391642... | HONOR GARD LOCK | Pls. specify code or customer name |
| 12 | 391641... | HONOR GARD COIN BAG SUPPORT | Pls. specify code or customer name |
| 13 | 401250 | PLATE H.G. | |
| 14 | 391640... | HONOR GARD BAG | Pls. specify code or customer name |
| 15 | 401256 | SAFER SYSTEMS FUNNEL | |
| 16 | 401257 | COIN CONVEYOR | |
| 17 | 395159... | SAFEGUARD COIN BOX | Pls. specify code or customer name |
| 18 | 397755... | SAFER SYSTEMS COIN BAG | Pls. specify code or customer name |
| 19 | 145701 | WELD BIG COINS BOX SUPPORT | Included in the p/n 138545/5 |
| 20 | 410657 | BIG COIN BOX | Included in the p/n 138545/5 |
| 21 | 394425 | HANDLE GUIDE | Included in the p/n 138545/5 |



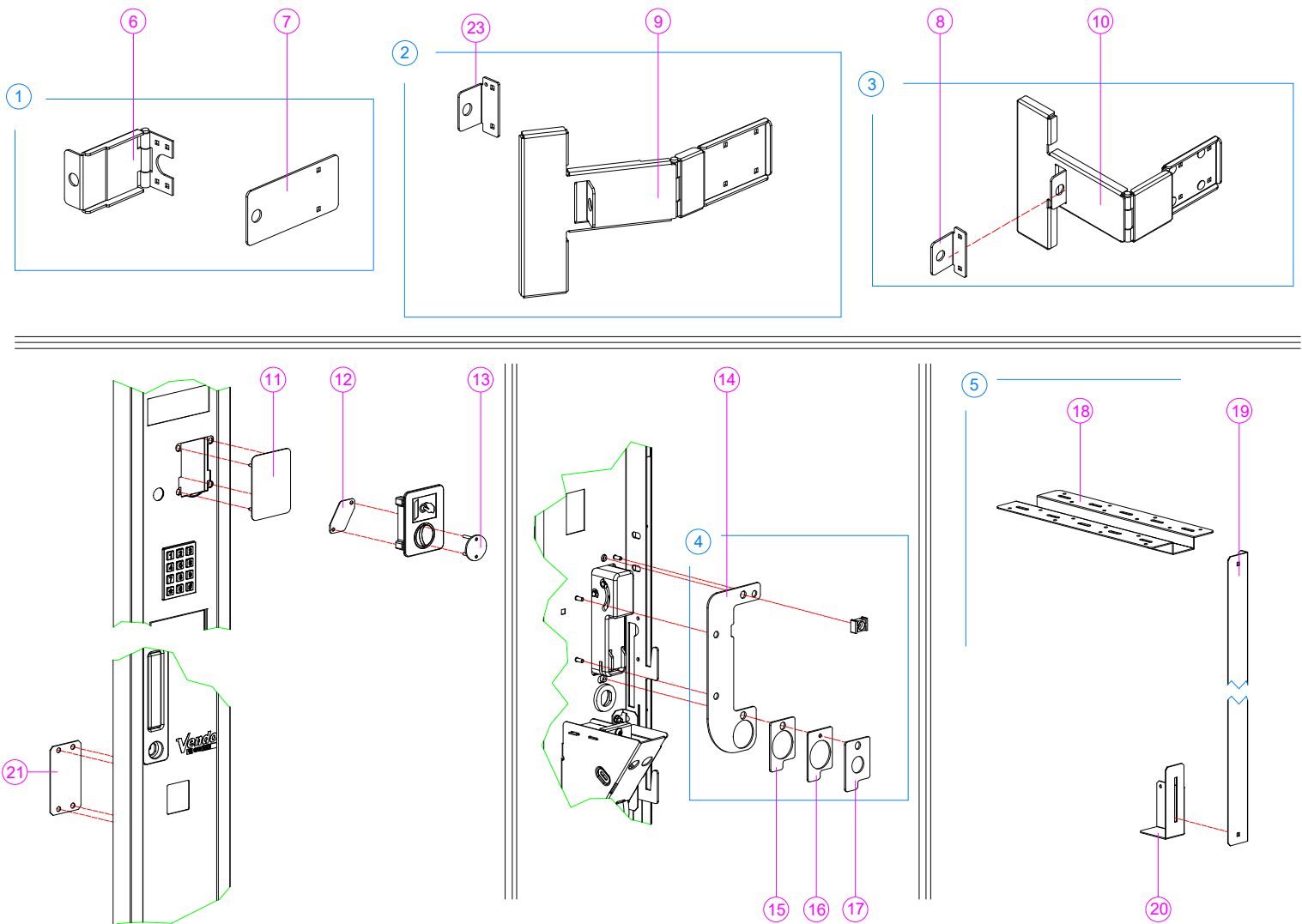
| Pos | Code | Description | Serial Number Nota |
|-----|--------|------------------------------|----------------------------|
| 22 | 410658 | DOOR FOR BIG COIN BOX | Included in the p/n 142147 |
| 23 | 408306 | SILVER KEY AJSAND VENDO | Included in the p/n 142147 |
| 24 | 408305 | LOCK RIELDA VENDO MOD.439 R2 | Included in the p/n 142147 |
| 25 | 401255 | SAFEGUARD FUNNEL | |



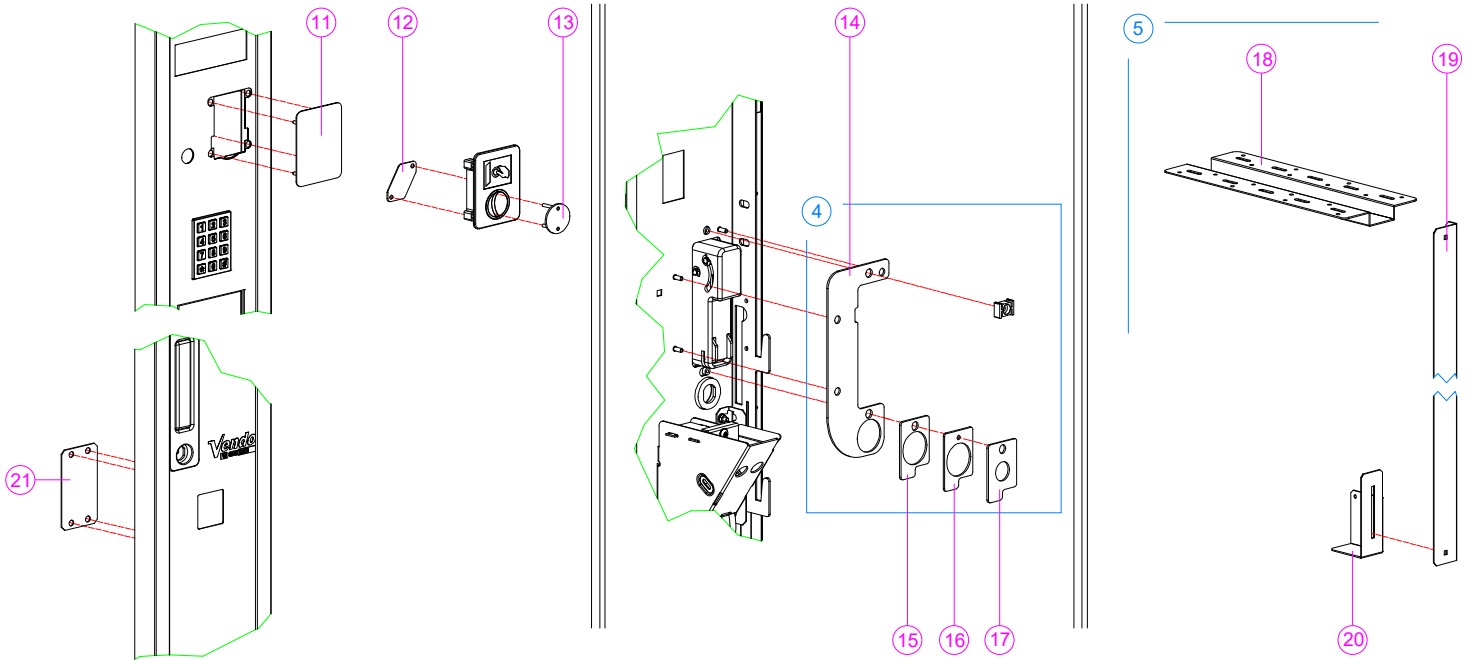
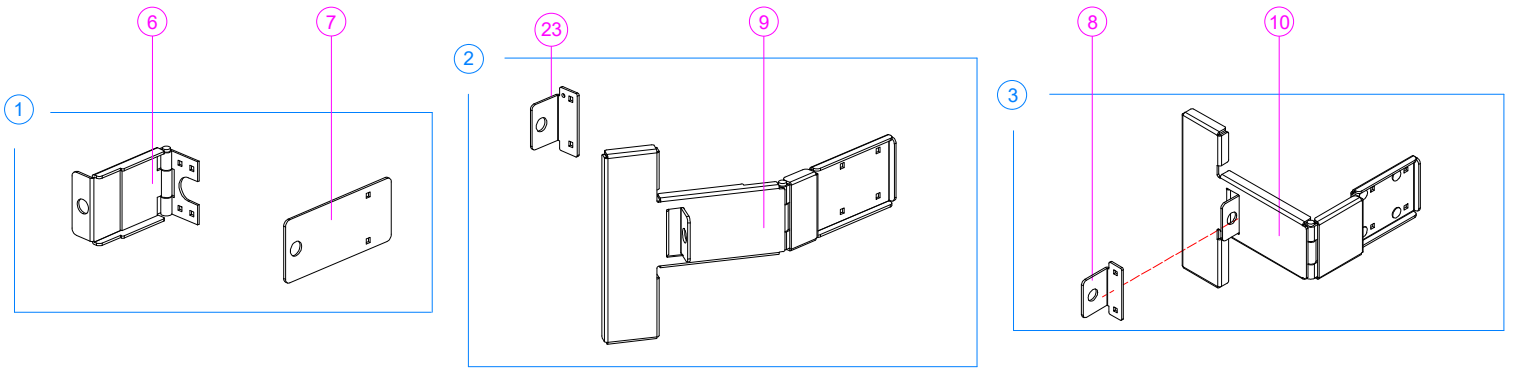
| Pos | Code | Description | Serial Number Nota |
|-----|----------|--------------------------------|--------------------|
| 1 | 139218 | KA KIT FASTEN TO FLOOR | |
| 2 | 139218/1 | KA KIT FASTEN TO FLOOR | |
| 3 | 139218/2 | K5 KIT FASTEN TO FLOOR | |
| 4 | V800876 | SCREW T1/2T+ 6,3X19 | |
| 5 | 402852 | FASTEN TO FLOOR BRKT | |
| 6 | 408028 | FASTEN TO FLOOR BRKT | |
| 7 | 415435 | FASTEN TO FLOOR BRKT | |
| 8 | 402854 | SHIM | |
| 9 | 407994 | THICKNESS | |
| 10 | 381511 | EXAGONAL NUT 12MA 5588 | |
| 11 | 403897 | LEVELLING SCREW M12 (BIG FOOT) | |
| 12 | 386804 | LEVELLING SCREW | |
| 13 | 135078/1 | OM KIT FIXING ON THE WALL | |
| 14 | 130461/1 | BRKT REAR WELD ASSY | |
| 15 | 333097/2 | POP RIVET | |
| 16 | 391598 | INSERT | |
| 17 | 386460 | BRKT FOR OUT DOOR | |
| 18 | 141648 | RP ROLLER KIT | |
| 19 | V800570 | SCREW T1+4,8X9,5 S.POINT | |
| 20 | 141628 | WHEELS SUPPORT ASSY | |
| 21 | 141361/9 | CB BASE COVER KIT | |



| Pos | Code | Description | Serial Number Nota |
|-----|-----------|--------------------------------------|--------------------|
| 22 | 410663 | FRONT COVER DV9/DM9 | |
| 23 | 408084/1 | SIDE COVER RH | |
| 24 | 408084 | SIDE COVER LH | |
| 25 | 145135 | AM KIT COINAGE BUTTONS ANTIVANDALISM | |
| 26 | 381603/10 | SCREW TSP+ 2,9 X 6,5 | |
| 27 | 410466 | G-DRINK FLAP SPACER | |
| 28 | 414928 | COINAGE BUTTONS ANTIVANDALISM | |
| 29 | 390139/2 | SCREW TTFR+ 4,2X13 | |
| 30 | 142127 | KIT REAR SIDE COVER | |
| 31 | 410621 | REAR SIDE COVER | |
| 32 | 143391 | CL LED COVER KIT | |
| 33 | 412062 | CENTRAL LED COVER | |
| 34 | 412063 | LH LED COVER | |
| 35 | 412064 | RH LED COVER | |



| Pos | Code | Description | Serial Number Nota |
|-----|----------|--|--------------------|
| 1 | 141280/2 | AZ ANTIVANDALISM LOCK FOR DESIGN LINE KIT | |
| 2 | 141280/3 | ANTIVANDALISM LOCK FOR HANDLE KIT | |
| 3 | 141280/6 | DOOR LOCK KIT ANTI-VANDALISM WITH FLAT DOOR AP | |
| 4 | 144418 | RH HANDLE REINFORCEMENT KIT | |
| 4 | 144418/1 | RG HANDLE REINFORCEMENT KIT | |
| 5 | 143620 | UD KIT FOR FIXING TWO VENDING MACHINE | |
| 6 | 141276/1 | COVER HANDLE LOCK ASSY | |
| 7 | 411033 | SIDE BRACKET LOCKING | |
| 8 | 417686 | ANTITHEFT BRKT | |
| 9 | 142227 | COVER HANDLE LOCK ASSY | |
| 10 | 142227/1 | HANDLE LOCK COVER WELD ASSY | |
| 11 | 144072 | COIN INSERT COVER WELD ASSY | |
| 12 | 410553 | STD COIN INSERT COVER | |
| 13 | 142523 | STD COIN INSERT COVER RIVET ASSY | |
| 14 | 410953 | HANDLE REINFORMCEMENT PLATE | |
| 15 | 413643 | LOWER HANDLE REINFORCEMENT | |
| 16 | 413643/1 | MIDDLE HANDLE REINFORCEMENT | |
| 17 | 413643/2 | TOP HANDLE REINFORCEMENT | |
| 18 | 412037 | FIXING PLATE | |
| 19 | 412390 | VERTICAL SPACER VENDING MACHINE | |
| 20 | 412092 | BOTTOM VERTICAL SPACER | |



| Pos | Code | Description | Serial Number Nota |
|-----|--------|-------------------|--------------------|
| 21 | 408191 | COIN RETURN COVER | |
| 23 | 414072 | ANTITEFT BRACKET | |